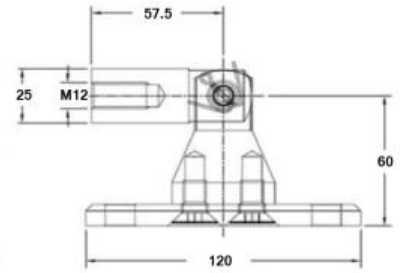
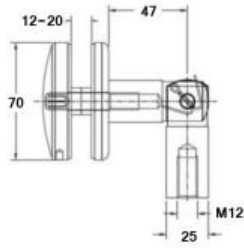


VDH1001-1
Wall to Glass
304/316



VDH1002-1
Wall to Rod
304/316



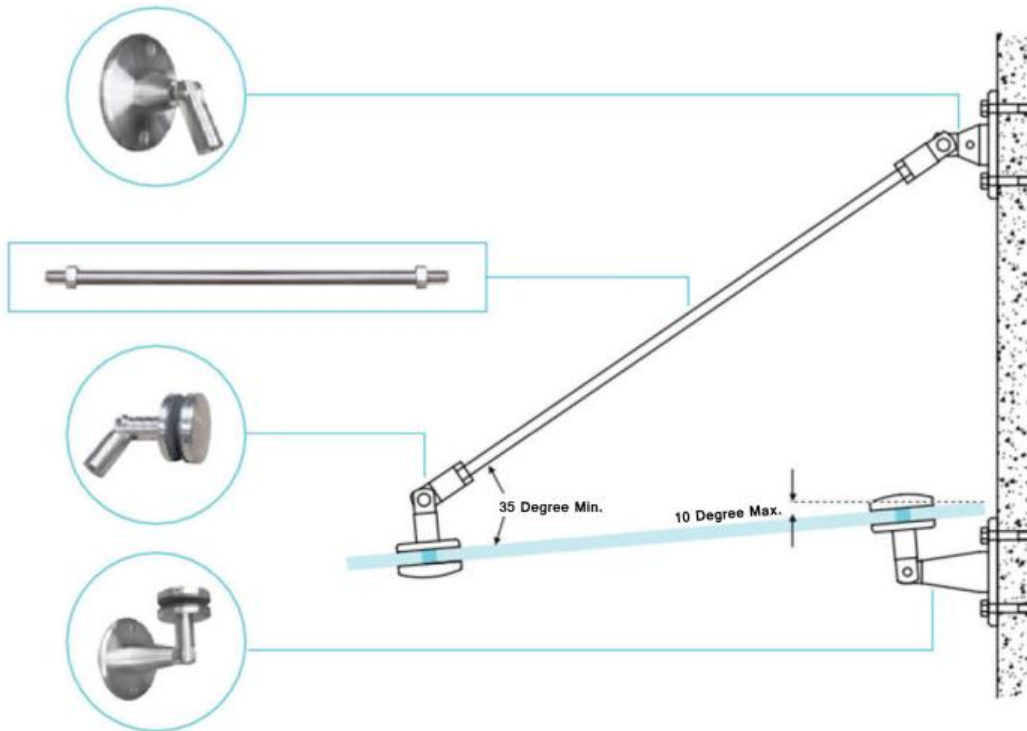
VDH1003-1
Rod to Glass
304/316



Specials Available Upon Request

ZUG1001
12mm Threaded Bar - 940 or 1500mm Standard
304/316

Glass Canopy Installation



Glass Canopy Test Report



TUV India Pvt. Ltd
 FLAT No. 24, 1st FLOOR, SANT ISHAR SINGH NAGAR
 PAKHOWAL ROAD, LUDHIANA-141001
 Phone: +91-161-5052582, Fax: +91-161-5052581
 Email: udith@tuv-nord.com; ludh@tuv-nord.com

Certificate of Conformity (Load Test)

Details of the Manufacturer:

Kensington Traders Ltd
 23/25 Ribocon Way, Progress Park
 Luton
 LU4 9UR

Description of material offered for witness of load testing: Parts of Stainless Steel Canopy System with 40mm point holding and with 70mm Point holding. Part No's. mentioned below.

Type of Test: Load bearing capacity Per Meter Square of complete system

Place of Inspection: In-house Laboratory, Ludhiana

Date of Inspection: 29/03/2013

Inspection Criteria:


1. Load bearing capacity at 300 kilograms / m² for 40mm point holding (regular application)
2. Load bearing capacity at 450 kilograms / m² for 70mm point holding (heavy duty application)

Details of Inspection:

Canopy Type	Details of Assembly as per RINOX Catalogue (attached)	Load given per Square meter	Hold Time	Permanent Deformation	Remarks
Canopy System for Heavy Duty Application (Stainless Steel)	Assembly of Part No. CN.001.01.16.S, CN.002.01.16.S, CN.003.01.16.S, CN.004.01.16.S Along with CSA screws Grade A2-70	478.05 Kilograms	15 Minutes	2mm	Satisfactory
Canopy System for Regular Application (Stainless Steel)	CN.001.11.16.S, CN.002.11.16.S, CN.003.11.16.S, CN.004.11.16.S, Along with CSA screws Grade A2-70	321.17 Kilograms	20 Minutes	Nil	Satisfactory

Conclusion:

The above reflects our findings at the time and place of inspection. The products assembly has been tested and verified for load test only in the witness of undersigned surveyor TUV NORD India and same found confirming to KTL internal procedure No. KTL / Canopy / 01 Rev.00.

TUV Identification: Load Test Report cum sketch for assemblies and R Engineering internal procedure No. KTL / Canopy / 01 Rev.00 endorsed by TUV. All the parts assembled together for the rest stamped as “” for identification only,

Certificate No. : 8107817584-01R1

Date of Issue : 29/03/2011

Validity : Any changes in the design.

Place of Issue : Ludhiana


 For Self (Udit Thareja)
 Surveyor to TUV India Pvt. Ltd.

Glass Canopy Drawing Templates

