



KT-Top-Floor-Channel
3m Lengths (p/p/m)
Anodized Aluminium



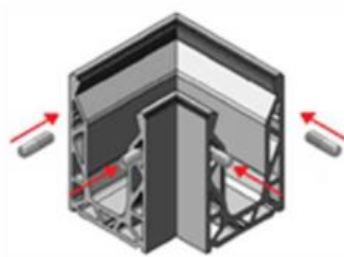
KT-12MMGLASS-KIT
KT-13.5MMGLASS-KIT
KT-15MMGLASS-KIT
KT-17.5MMGLASS-KIT
KT-19MMGLASS-KIT
KT-21.5MMGLASS-KIT

Each glass kit
included relevant
top-bead rubber

KT-Glass-Kit
3m Packs - P/P/M
Wedges / Bolts/ Bars/ Rubbers



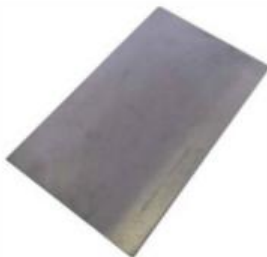
KT-Bead-Strip
3m Lengths (p/p/m)
Anodized Aluminium



KT-90D-CNR-TOP-CH
90 Degree Corner
Supplied with Dowels



KT-Spanner
(Recommended 2 per project)



KT-EndCap-TopCh



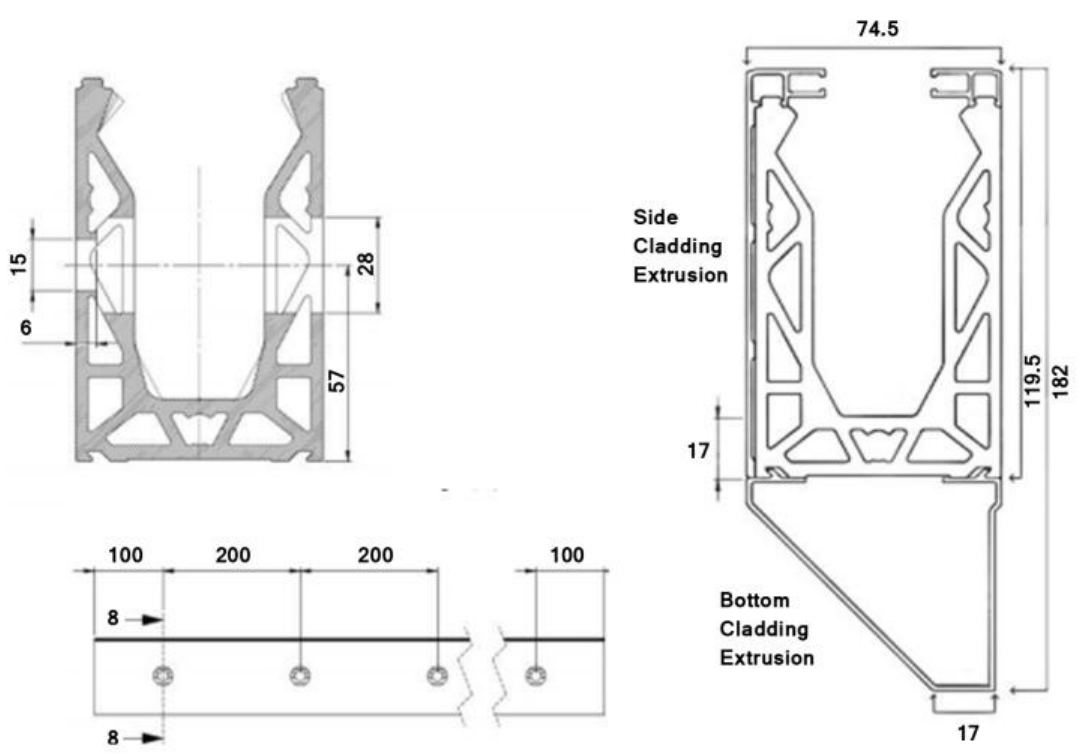
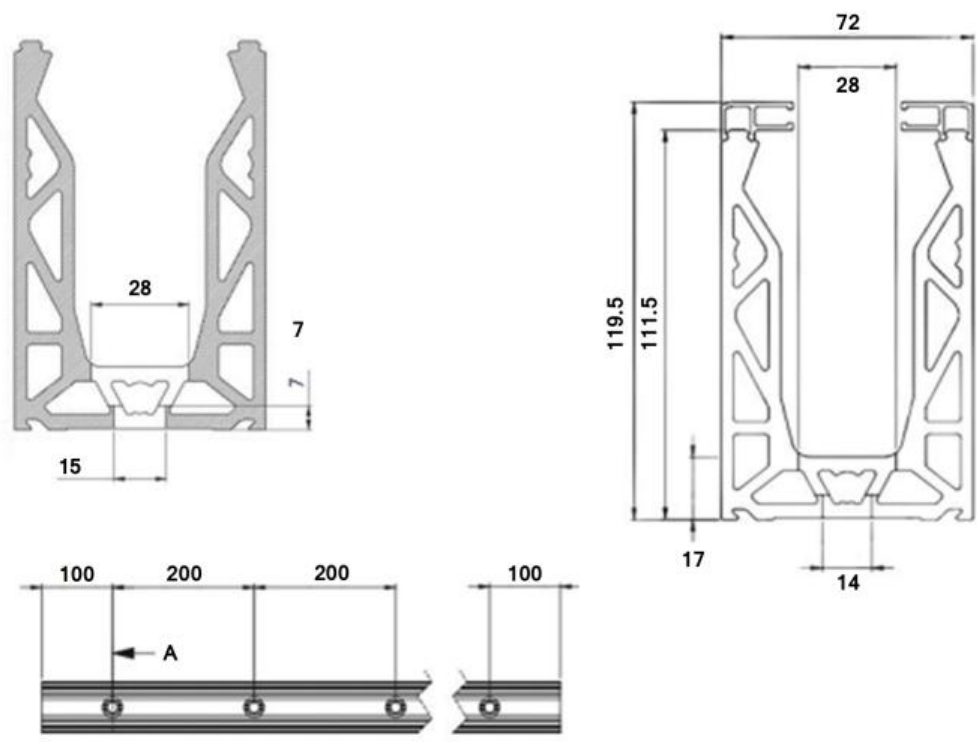
KT-Dowel-Connect
(Pack of 2)



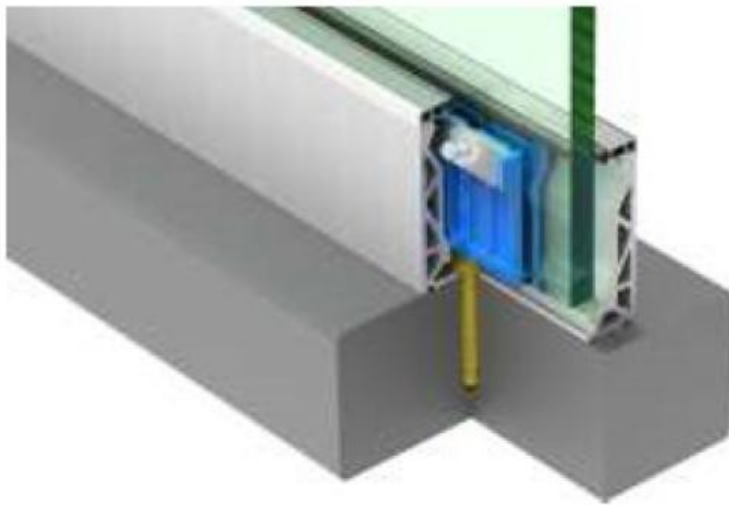
KT-Drainage-Block



KT-EndCap-PushFit
4mm Thick
Push Fit (with dowels)

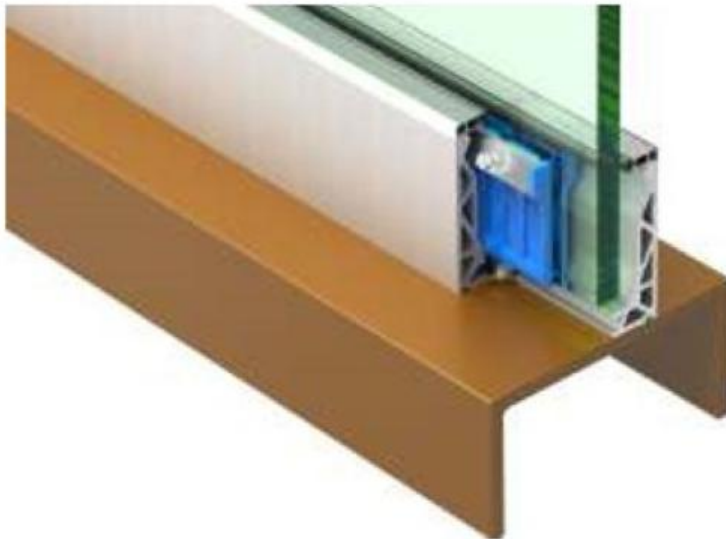


Base Fix – Into Concrete

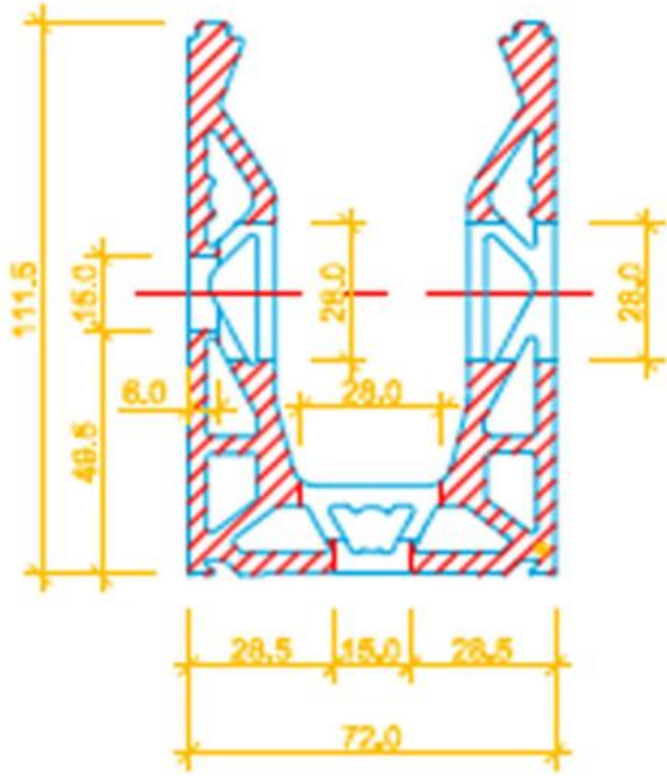


Glass Type	Horizontal U.D.L. Kn/M	Height mm	Deflection mm
15mm Toughened, Heat Soaked	0.74	1120	18.20
15mm Toughened, Heat Soaked	0.98	1120	25.03
19mm Toughened, Heat Soaked	0.74	1095	9.93
19mm Toughened, Heat Soaked	1.00	1095	14.30
19mm Toughened, Heat Soaked	1.50	1095	21.80
19mm Toughened, Heat Soaked	1.63	1095	25.00
21.5mm EVA Laminated Toughened, Heat Soaked	0.74	1093	15.45
21.5mm EVA Laminated Toughened, Heat Soaked	1.07	1093	25.00
21.5mm Rigid Laminated Toughened, Heat Soaked	0.74	1116	9.60
21.5mm Rigid Laminated Toughened, Heat Soaked	1.00	1116	13.68
21.5mm Rigid Laminated Toughened, Heat Soaked	1.50	1116	22.70
21.5mm Rigid Laminated Toughened, Heat Soaked	1.56	1116	25.00

Base Fix – Into Steel



Glass Type	Horizontal U.D.L. kN/m	Height mm	Deflection mm
15mm Toughened Heat Soaked	0.36	1118	9.10
15mm Toughened Heat soaked	0.74	1118	19.71
15mm Toughened Heat Soaked	0.85	1118	25.00
19mm Toughened Heat Soaked	0.74	1097	10.21
19mm Toughened Heat Soaked	1.50	1097	23.76
21.5mm EVA Laminated Toughened Heat Soaked	0.36	1098	7.12
21.5mm EVA Laminated Toughened Heat Soaked	0.74	1098	15.82
21.5mm EVA Laminated Toughened Heat Soaked	1.00	1098	22.64
21.5mm EVA Laminated Toughened Heat Soaked	1.06	1098	25.00
21.5mm Rigid Laminated Toughened Heat Soaked	0.36	1118	4.71
21.5mm Rigid Laminated Toughened Heat Soaked	0.74	1118	10.50
21.5mm Rigid Laminated Toughened Heat Soaked	1.00	1118	14.77
21.5mm Rigid Laminated Toughened Heat Soaked	1.50	1118	22.46
21.5mm Rigid Laminated Toughened Heat Soaked	1.60	1118	25.18



SECTION DETAIL

