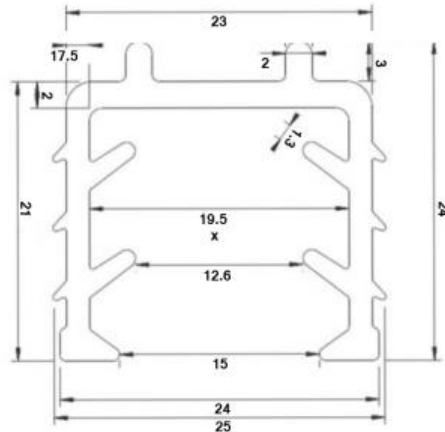
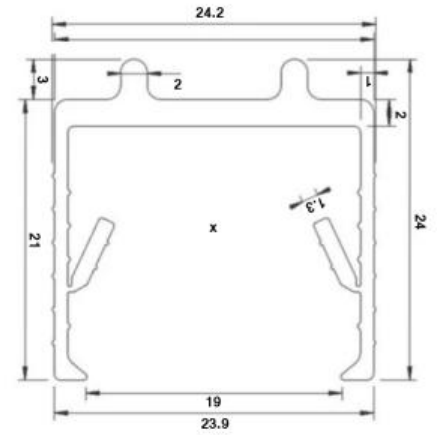


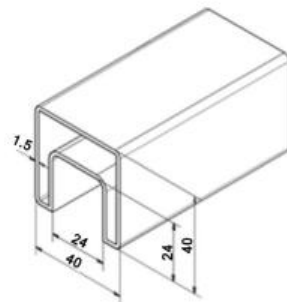
RO42-12
For 10-12.75mm Glass



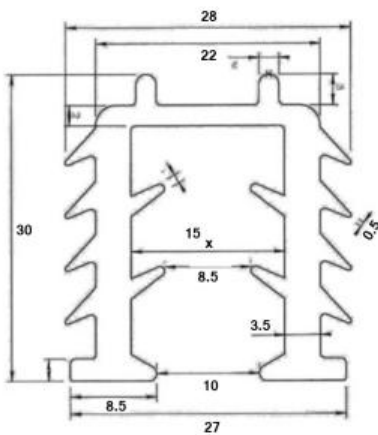
RO42-15NEW
For 15-17.5mm Glass



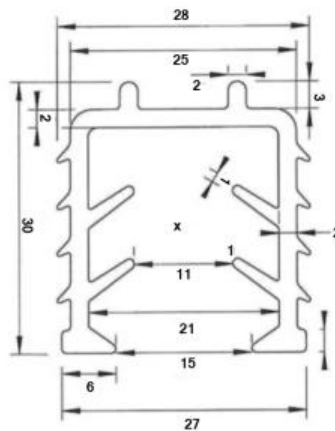
RO42-19
For 19-21.5mm Glass



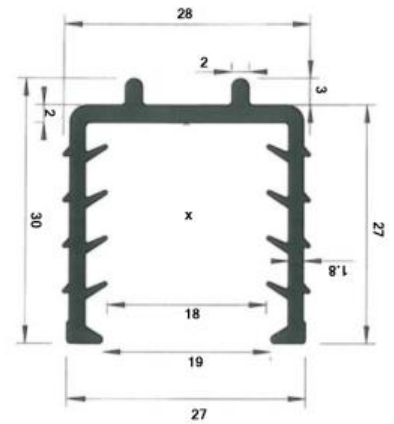
RO1004-BOXx40x40
40 x 40mm Profile Box Section



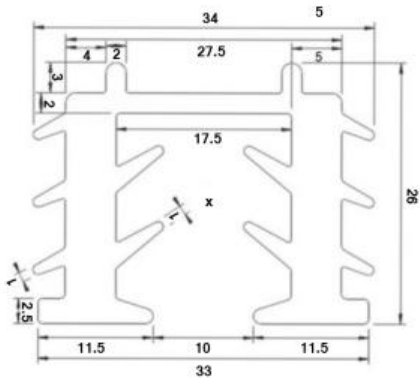
RO48-12
For 10-12 mm Glass



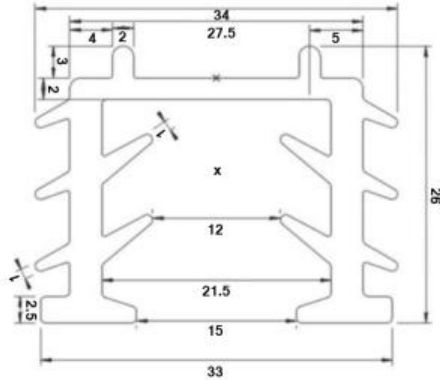
RO48-15
For 15-17.5 mm Glass



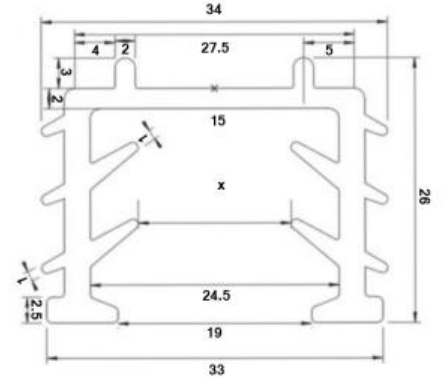
RO48-19
For 19- 21.5 mm Glass



RO80/110-12
For 10-12.75mm Glass

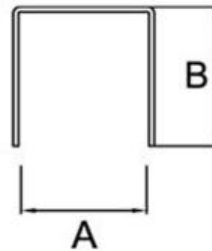


RO80/110-15
For 15-17.5mm Glass



RO80/110-19
For 19-21.5mm Glass

Capping Rails



2.5m Length A: 12-12.76mm B: 15mm 1.5mm Wall
 2.5m Length A: 16.76-17.52mm B: 20mm 1.5mm Wall
 2.5m Length A: 19-21.52mm B: 20mm 1.5mm Wall
 ••Satin anodised capping rail
 Many other sizes available on request

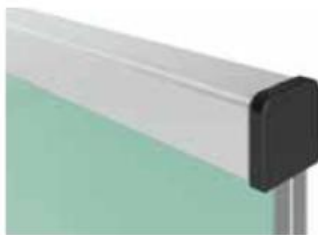
KT-Capping-Rail
Satin anodised aluminium capping rails for 12-21.5mm glass



Double Sided Tape
10-12.76mm Glass
KT-PR-7426

Double Sided Tape
15-17.52mm Glass
KT-PR-6728

Double Sided Tape
19-21.52mm Glass
KT-PR-6936



KT-PR-6540
W:27.7mm / H: 25.1mm
Wall: 1.6mm

KT-AK-6540TA

KT-AK-6540F
Radius: 25mm
Slot: 27.7mm

KT-AK-6540V

KT-AK-6540H

KT-AK-6540KD

KT-AK-6540KD1

KT-AK-6540T

KT-AK-6540C

KT-AK-6728F