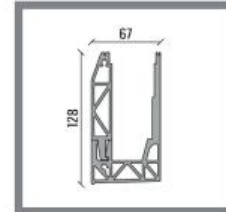
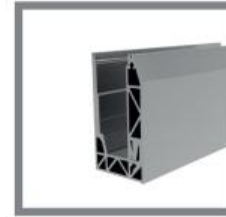
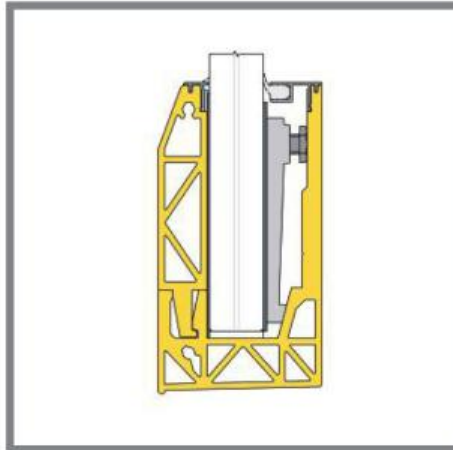
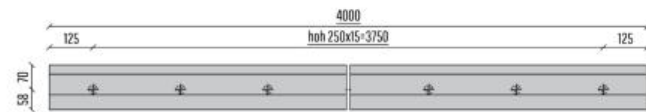


UNIQ SB-A1S | SIDE MOUNTED

EU 1 kN/m and UK 0.74 kN/m

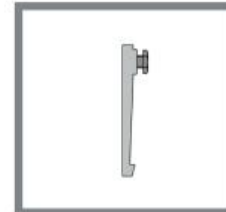
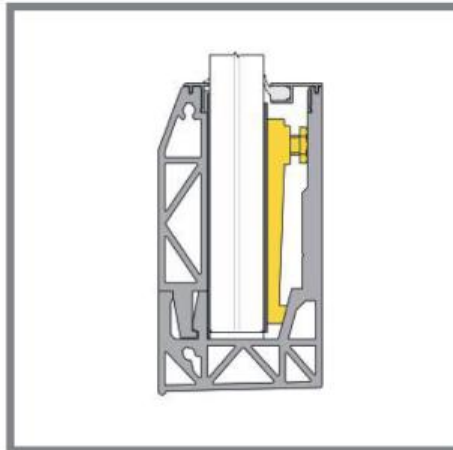
Tested to 0.74 kN/m with:
15mm, 17.52mm, 19mm and 21.52mm Glass
*See back page for Test Report



BASE PROFILE

- 2089057 SB-A1S Brute
- 2089059 SB-A1S Stainless look

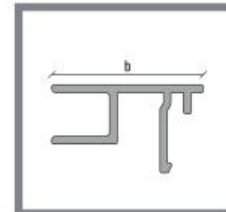
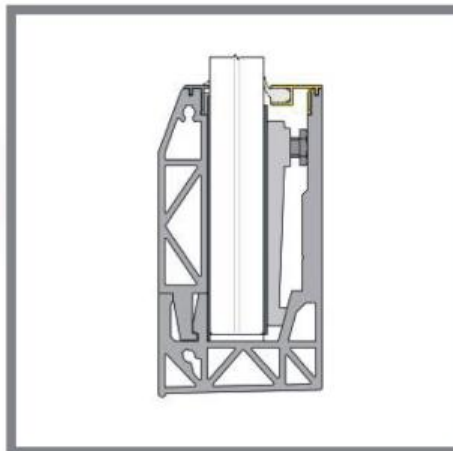
L
4000mm
4000mm



CLAMPING STRIP

- 2089623 CS-L4 - 10/10/pvb
- 2089624 CS-XL4 - 8/8/pvb
- 2089625 CS-XXL4 - 15

L
4000mm
4000mm
4000mm



REAR COVER

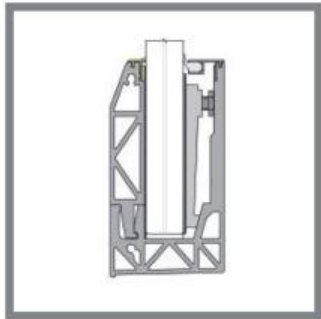
- 2089104 CR-L1 - 10/10/pvb - Brute
- 2089358 CR-L1 - 10/10/pvb - Stainless look
- 2089106 CR-XL1 - 8/8/pvb - Brute
- 2089359 CR-XL1 - 8/8/pvb - Stainless look
- 2089108 CR-XXL1 - 15 - Brute
- 2089360 CR-XXL1 - 15 - Stainless look

B L
21 4000mm
21 4000mm
25 4000mm
25 4000mm
28 4000mm
28 4000mm

OPTIONAL FOR REAR COVER

- 1012301 Rubber for the cover front
- 1012309 Rubber for the cover front

L
4000mm
50000mm



FRONT COVER

- 2089088 CF-100 Brute
- 2089089 CF-100 Stainless look

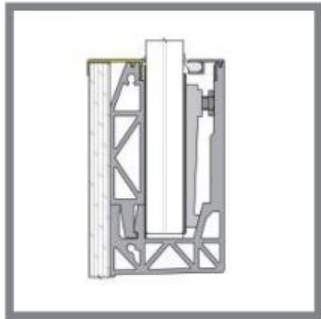
L
4000mm
4000mm



OPTIONAL FOR FRONT COVER

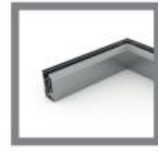
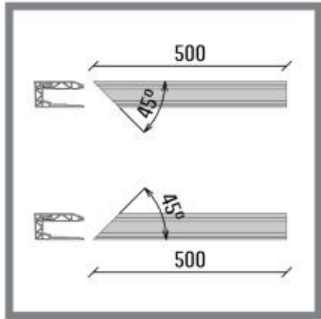
- 1012310 Rubber for the cover rear
- 1012311 Rubber for the cover rear

L
4000mm
50000mm



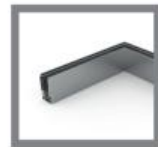
PLATING COVERS

	D	B	L
2089090 CF-103 Brute	3	25	4000mm
2089351 CF-103 Stainless look	3	25	4000mm
2089091 CF-112 Brute	12	34	4000mm
2089352 CF-112 Stainless look	12	34	4000mm
2089092 CF-120 Brute	20	42	4000mm
2089353 CF-120 Stainless look	20	42	4000mm



CORNER PIECES*

2089060 SB-A15 Inside corner left	L	500mm
2089061 SB-A15 Inside corner right	L	500mm
2089062 SB-A15 Outside corner left	L	500mm
2089063 SB-A15 Outside corner right	L	500mm



*Only available in stainless look

