

**KT-Top-Floor-Channel**  
3m Lengths (p/p/m)  
Anodized Aluminium



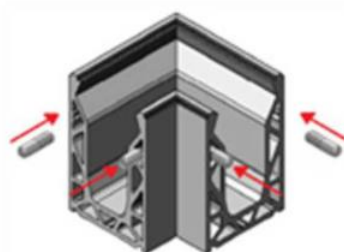
**KT-Glass-Kit**  
3m Packs - P/P/M  
Wedges / Bolts/ Bars/ Rubbers

KT-12MMGLASS-KIT
KT-13.5MMGLASS-KIT
KT-15MMGLASS-KIT
KT-17.5MMGLASS-KIT
KT-19MMGLASS-KIT
KT-21.5MMGLASS-KIT

Each glass kit included relevant top-bead rubber



**KT-Bead-Strip**  
3m Lengths (p/p/m)  
Anodized Aluminium



**KT-90D-CNR-TOP-CH**  
90 Degree Corner  
Supplied with Dowels



**KT-Spanner**  
(Recommended 2 per project)



**KT-EndCap-TopCh**



**KT-Dowel-Connect**  
(Pack of 2)

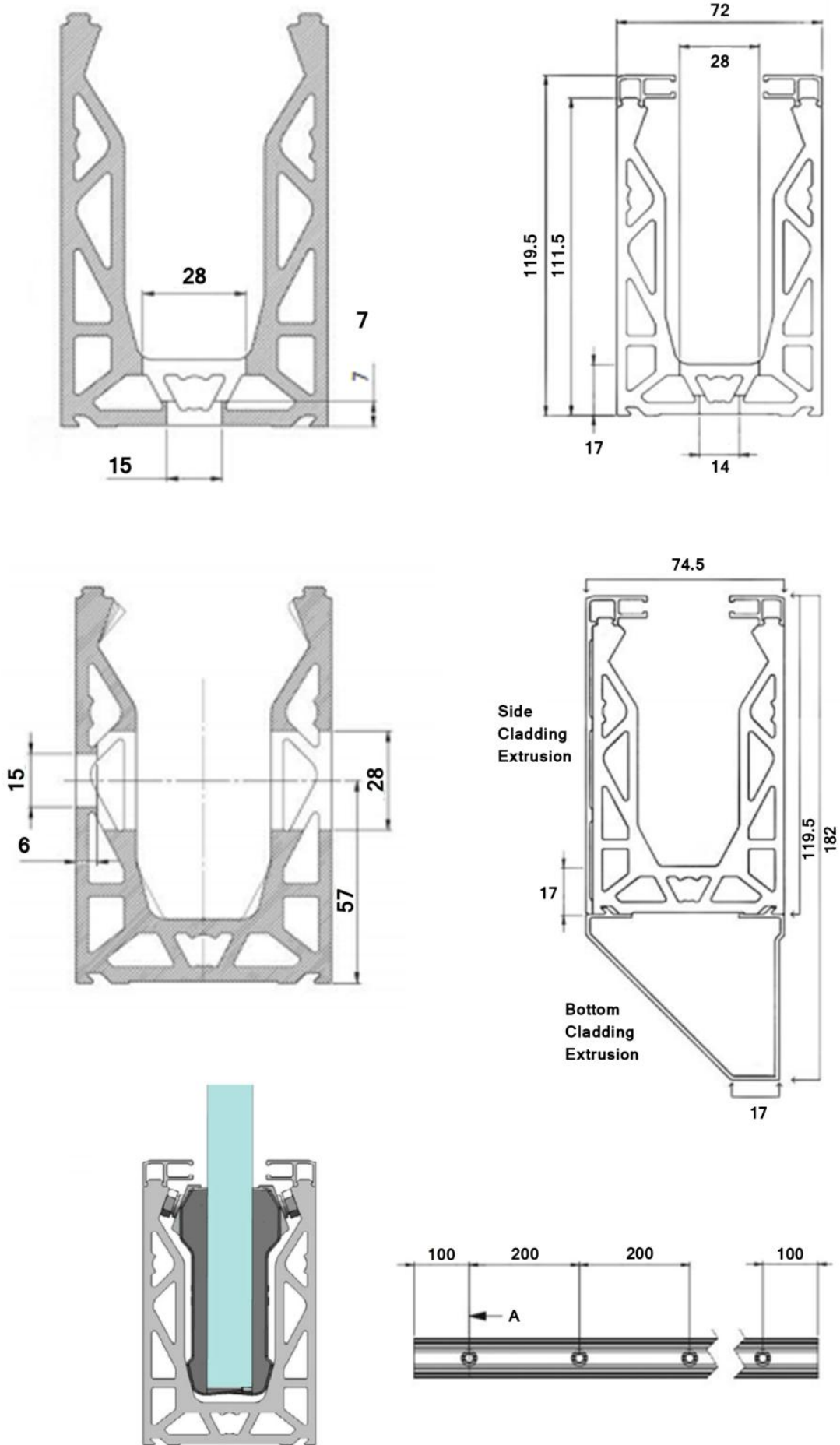


**KT-Drainage-Block**

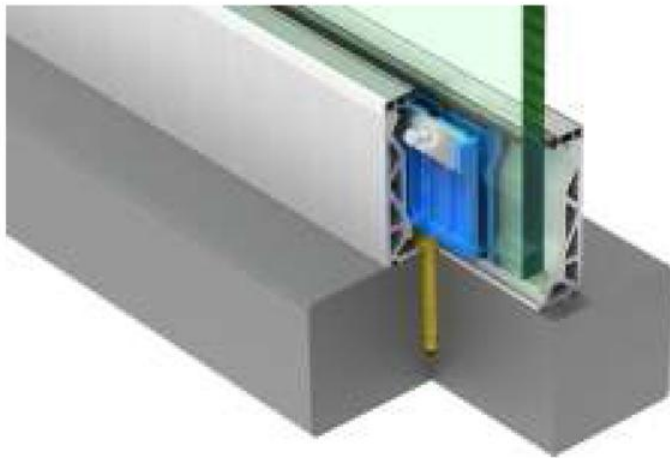


**KT-EndCap-PushFit**  
4mm Thick  
Push Fit (with dowels)





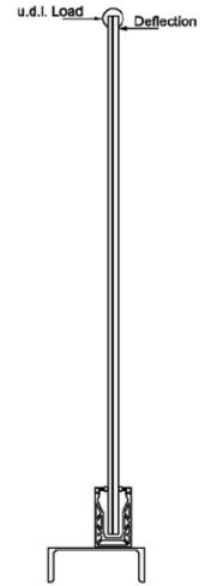
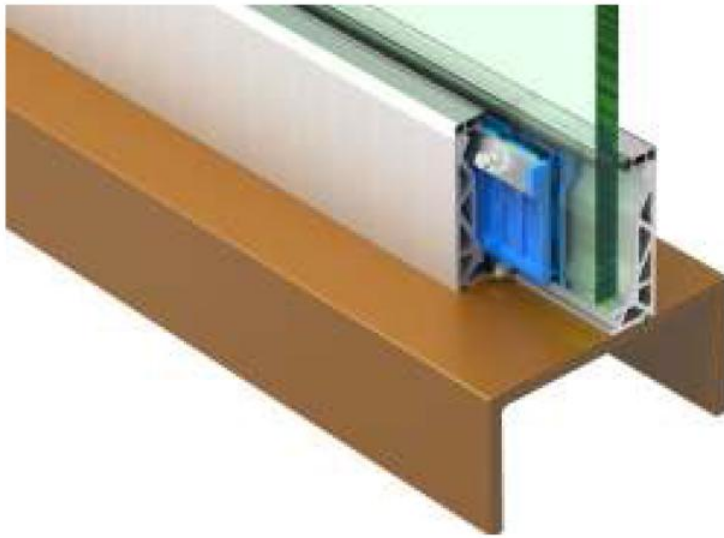
## Base Fixed onto Concrete



Fixing and test Method

Glass Type	Horizontal U.D.L. Kn/M	Height mm	Deflection mm
15mm Toughened, Heat Soaked	0.74	1120	18.20
<b>15mm Toughened, Heat Soaked</b>	<b>0.98</b>	<b>1120</b>	<b>25.03</b>
19mm Toughened, Heat Soaked	0.74	1095	9.93
19mm Toughened, Heat Soaked	1.00	1095	14.30
19mm Toughened, Heat Soaked	1.50	1095	21.80
<b>19mm Toughened, Heat Soaked</b>	<b>1.63</b>	<b>1095</b>	<b>25.00</b>
21.5mm EVA Laminated Toughened, Heat Soaked	0.74	1093	15.45
<b>21.5mm EVA Laminated Toughened, Heat Soaked</b>	<b>1.07</b>	<b>1093</b>	<b>25.00</b>
21.5mm Rigid Laminated Toughened, Heat Soaked	0.74	1116	9.60
21.5mm Rigid Laminated Toughened, Heat Soaked	1.00	1116	13.68
21.5mm Rigid Laminated Toughened, Heat Soaked	1.50	1116	22.70
<b>21.5mm Rigid Laminated Toughened, Heat Soaked</b>	<b>1.56</b>	<b>1116</b>	<b>25.00</b>

Base Fixed Onto Steel



Fixing and Test Method

Glass Type	Horizontal U.D.L. kN/m	Height mm	Deflection mm
15mm Toughened Heat Soaked	0.36	1118	9.10
15mm Toughened Heat soaked	0.74	1118	19.71
15mm Toughened Heat Soaked	0.85	1118	25.00
19mm Toughened Heat Soaked	0.74	1097	10.21
19mm Toughened Heat Soaked	1.50	1097	23.76
21.5mm EVA Laminated Toughened Heat Soaked	0.36	1098	7.12
21.5mm EVA Laminated Toughened Heat Soaked	0.74	1098	15.82
21.5mm EVA Laminated Toughened Heat Soaked	1.00	1098	22.64
21.5mm EVA Laminated Toughened Heat Soaked	1.06	1098	25.00
21.5mm Rigid Laminated Toughened Heat Soaked	0.36	1118	4.71
21.5mm Rigid Laminated Toughened Heat Soaked	0.74	1118	10.50
21.5mm Rigid Laminated Toughened Heat Soaked	1.00	1118	14.77
21.5mm Rigid Laminated Toughened Heat Soaked	1.50	1118	22.46
21.5mm Rigid Laminated Toughened Heat Soaked	1.60	1118	25.18

**KT-Bal-Seal-Kit**

\*Includes 15 x Balcony Seal Drainage Blocks + 2 x Tubes of Sealant

This is a revolutionary product that provides a solution to both water drainage and waterproofing on a balcony installation. It comprises of drain blocks that sit underneath the balustrade channel. Notches on the top side of the drain blocks locate into the rebates of the channel, locking it into position before the system is bolt-fixed to the substrate through each drain block. The gaps between the drain block are your water drainage channels. The drain blocks are subsequently filled with sealant to create a fully waterproofed balustrade installation.

