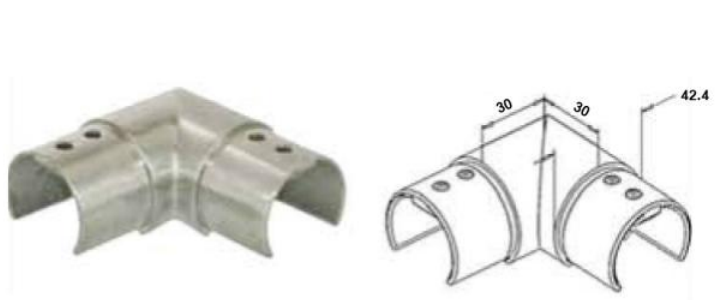




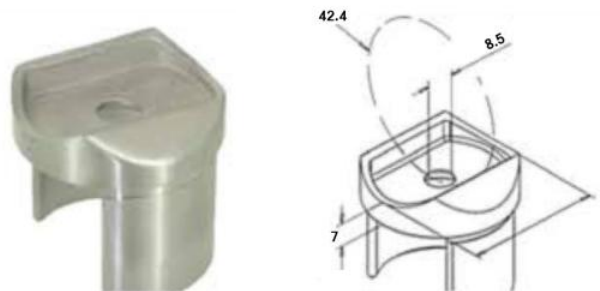
1201.425.304/316
Slotted Tube Connector
304/316



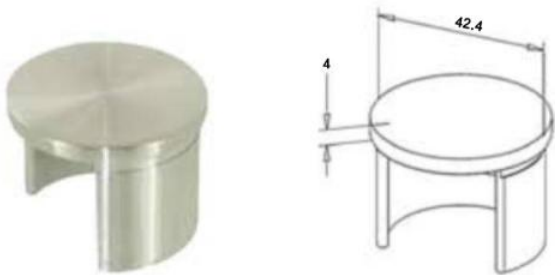
1202.425.304/316
90 Degree Slotted Lateral Bend
304/316



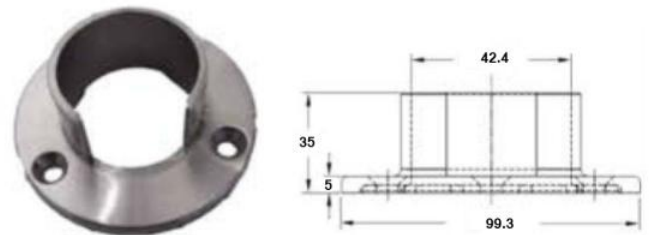
1203.425.304/316
90 Degree Slotted Vertical Bend
304/316



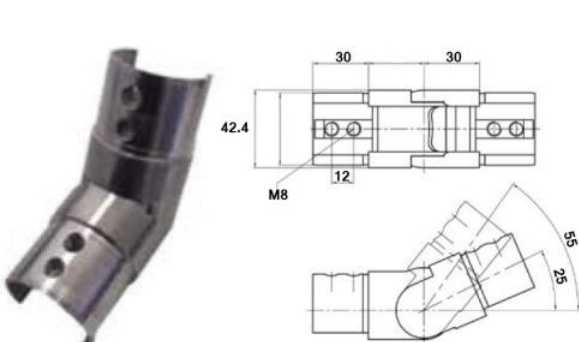
1502.424.304/316
Slotted Adaptor
304/316



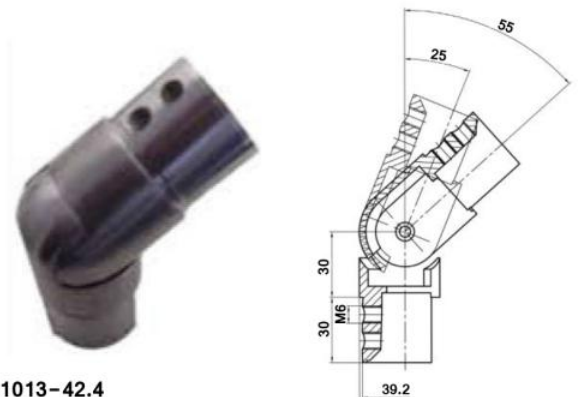
1112.426.304/316
Slotted End Caps
304/316



RO1009-42.4
Slotted Wall Plate
304/316



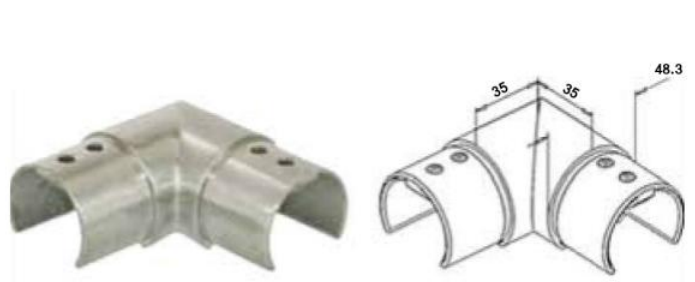
RO1012-42.4
25-55 Degree Slotted Elbow (Upwards)
316



RO1013-42.4
25-55 Degree Slotted Elbow (Downwards)
316



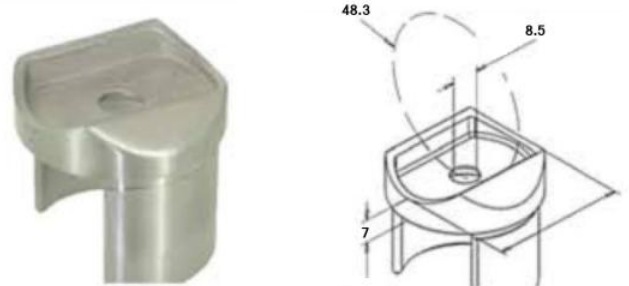
1201.485.304/316
Slotted Tube Connector
304/316



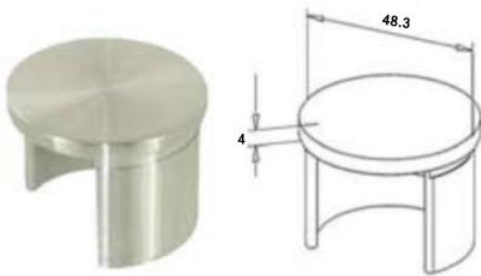
1202.485.304/316
90 Degree Slotted Lateral Bend
304/316



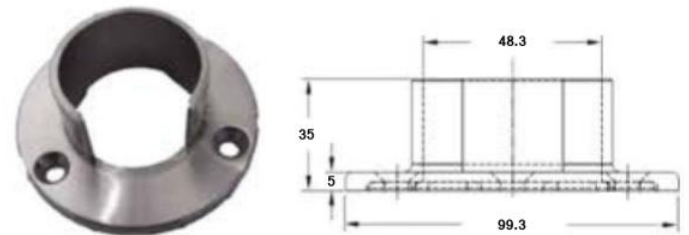
1203.485.304/316
90 Degree Slotted Vertical Bend
304/316



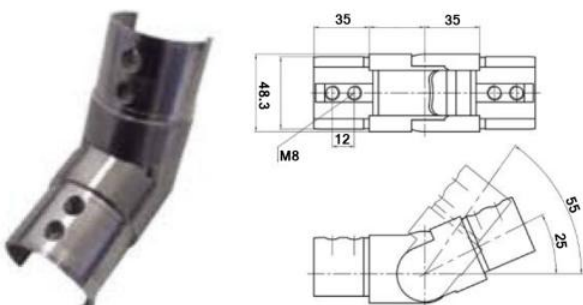
1503.483.304/316
Slotted Adaptor
304/316



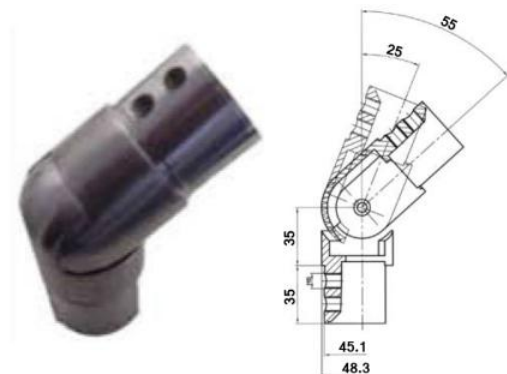
1112.486.304/316
Slotted End Caps
304/316



RO1009-48.3
Slotted Wall Plate
304/316



RO1012-42.4
25-55 Degree Slotted Elbow (Upwards)
316



RO1013-42.4
25-55 Degree Slotted Elbow (Downwards)
316