



KT-Top-Floor-Channel
3m Lengths (p/p/m)
Anodized Aluminium



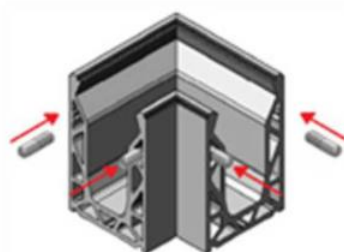
KT-Glass-Kit
3m Packs - P/P/M
Wedges / Bolts/ Bars/ Rubbers

| |
|--------------------|
| KT-12MMGLASS-KIT |
| KT-13.5MMGLASS-KIT |
| KT-15MMGLASS-KIT |
| KT-17.5MMGLASS-KIT |
| KT-19MMGLASS-KIT |
| KT-21.5MMGLASS-KIT |

Each glass kit included relevant top-bead rubber



KT-Bead-Strip
3m Lengths (p/p/m)
Anodized Aluminium



KT-90D-CNR-TOP-CH
90 Degree Corner
Supplied with Dowels



KT-Spanner
(Recommended 2 per project)



KT-TIMBER-FIXING-KIT
Timber Fixing Plate 15 Piece Set
+ M12 Bolts for Base Fix



KT-Dowel-Connect
(Pack of 2)

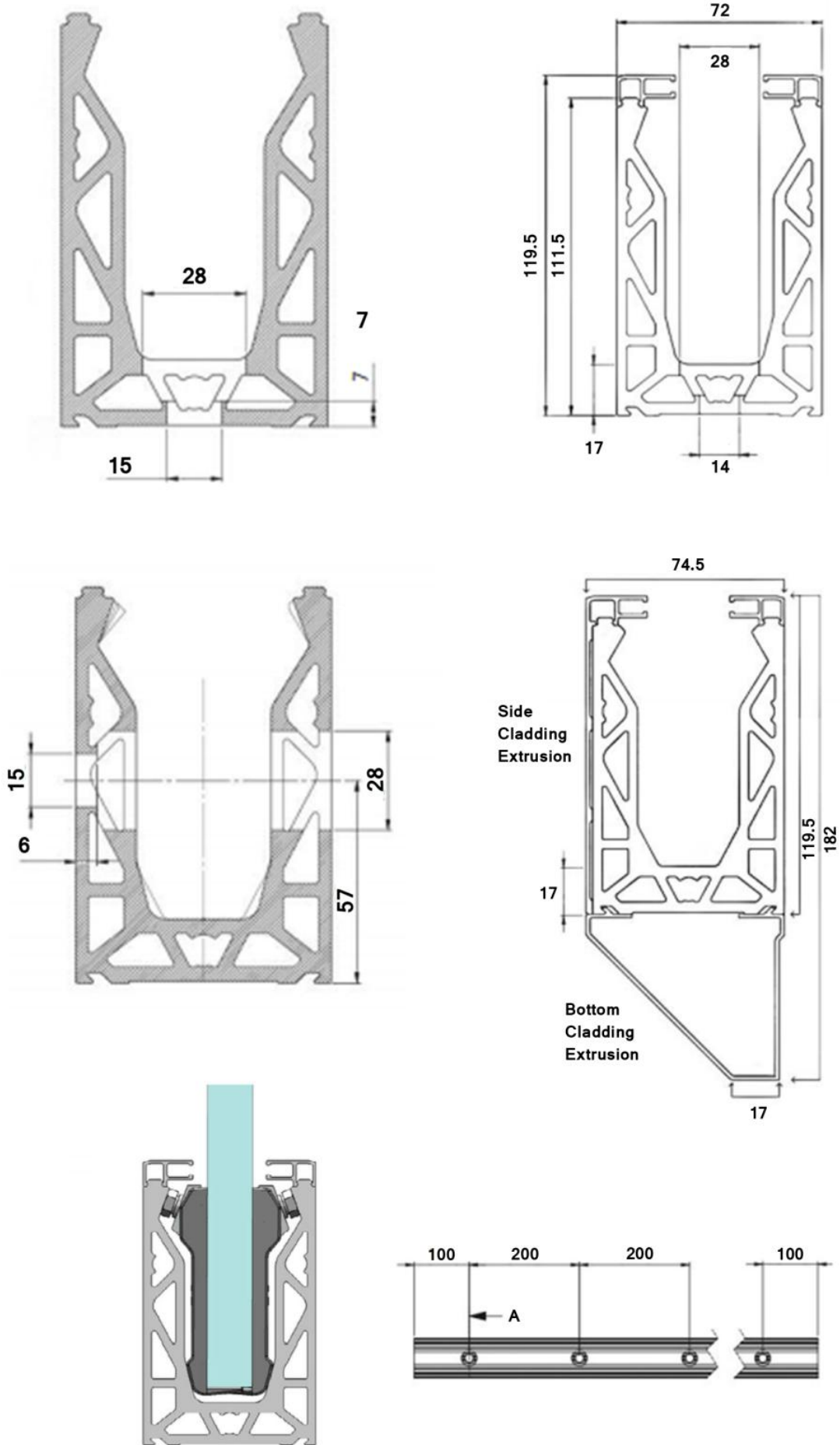


KT-Drainage-Block

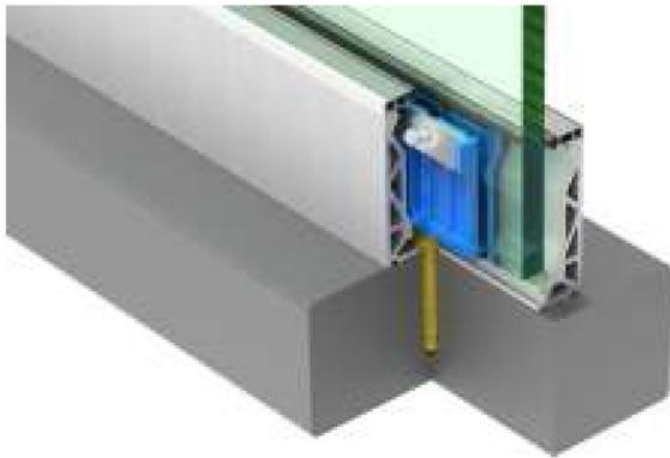


KT-EndCap-PushFit
4mm Thick
Push Fit (with dowels)





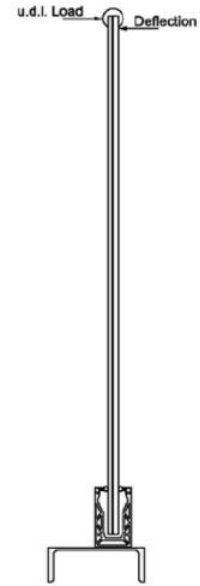
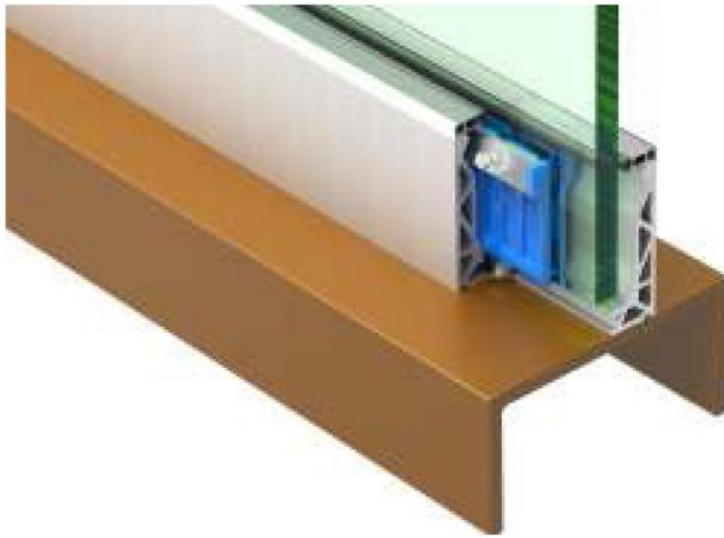
Base Fixed onto Concrete



Fixing and test Method

| Glass Type | Horizontal U.D.L. Kn/M | Height mm | Deflection mm |
|--|------------------------|-------------|---------------|
| 15mm Toughened, Heat Soaked | 0.74 | 1120 | 18.20 |
| 15mm Toughened, Heat Soaked | 0.98 | 1120 | 25.03 |
| 19mm Toughened, Heat Soaked | 0.74 | 1095 | 9.93 |
| 19mm Toughened, Heat Soaked | 1.00 | 1095 | 14.30 |
| 19mm Toughened, Heat Soaked | 1.50 | 1095 | 21.80 |
| 19mm Toughened, Heat Soaked | 1.63 | 1095 | 25.00 |
| 21.5mm EVA Laminated Toughened, Heat Soaked | 0.74 | 1093 | 15.45 |
| 21.5mm EVA Laminated Toughened, Heat Soaked | 1.07 | 1093 | 25.00 |
| 21.5mm Rigid Laminated Toughened, Heat Soaked | 0.74 | 1116 | 9.60 |
| 21.5mm Rigid Laminated Toughened, Heat Soaked | 1.00 | 1116 | 13.68 |
| 21.5mm Rigid Laminated Toughened, Heat Soaked | 1.50 | 1116 | 22.70 |
| 21.5mm Rigid Laminated Toughened, Heat Soaked | 1.56 | 1116 | 25.00 |

Base Fixed Onto Steel



Fixing and Test Method

| Glass Type | Horizontal U.D.L. kN/m | Height mm | Deflection mm |
|--|------------------------|-----------|---------------|
| 15mm Toughened Heat Soaked | 0.36 | 1118 | 9.10 |
| 15mm Toughened Heat soaked | 0.74 | 1118 | 19.71 |
| 15mm Toughened Heat Soaked | 0.85 | 1118 | 25.00 |
| 19mm Toughened Heat Soaked | 0.74 | 1097 | 10.21 |
| 19mm Toughened Heat Soaked | 1.50 | 1097 | 23.76 |
| 21.5mm EVA Laminated Toughened Heat Soaked | 0.36 | 1098 | 7.12 |
| 21.5mm EVA Laminated Toughened Heat Soaked | 0.74 | 1098 | 15.82 |
| 21.5mm EVA Laminated Toughened Heat Soaked | 1.00 | 1098 | 22.64 |
| 21.5mm EVA Laminated Toughened Heat Soaked | 1.06 | 1098 | 25.00 |
| 21.5mm Rigid Laminated Toughened Heat Soaked | 0.36 | 1118 | 4.71 |
| 21.5mm Rigid Laminated Toughened Heat Soaked | 0.74 | 1118 | 10.50 |
| 21.5mm Rigid Laminated Toughened Heat Soaked | 1.00 | 1118 | 14.77 |
| 21.5mm Rigid Laminated Toughened Heat Soaked | 1.50 | 1118 | 22.46 |
| 21.5mm Rigid Laminated Toughened Heat Soaked | 1.60 | 1118 | 25.18 |

KT-Bal-Seal-Kit

*Includes 15 x Balcony Seal Drainage Blocks + 2 x Tubes of Sealant

This is a revolutionary product that provides a solution to both water drainage and waterproofing on a balcony installation. It comprises of drain blocks that sit underneath the balustrade channel. Notches on the top side of the drain blocks locate into the rebates of the channel, locking it into position before the system is bolt-fixed to the substrate through each drain block. The gaps between the drain block are your water drainage channels. The drain blocks are subsequently filled with sealant to create a fully waterproofed balustrade installation.

