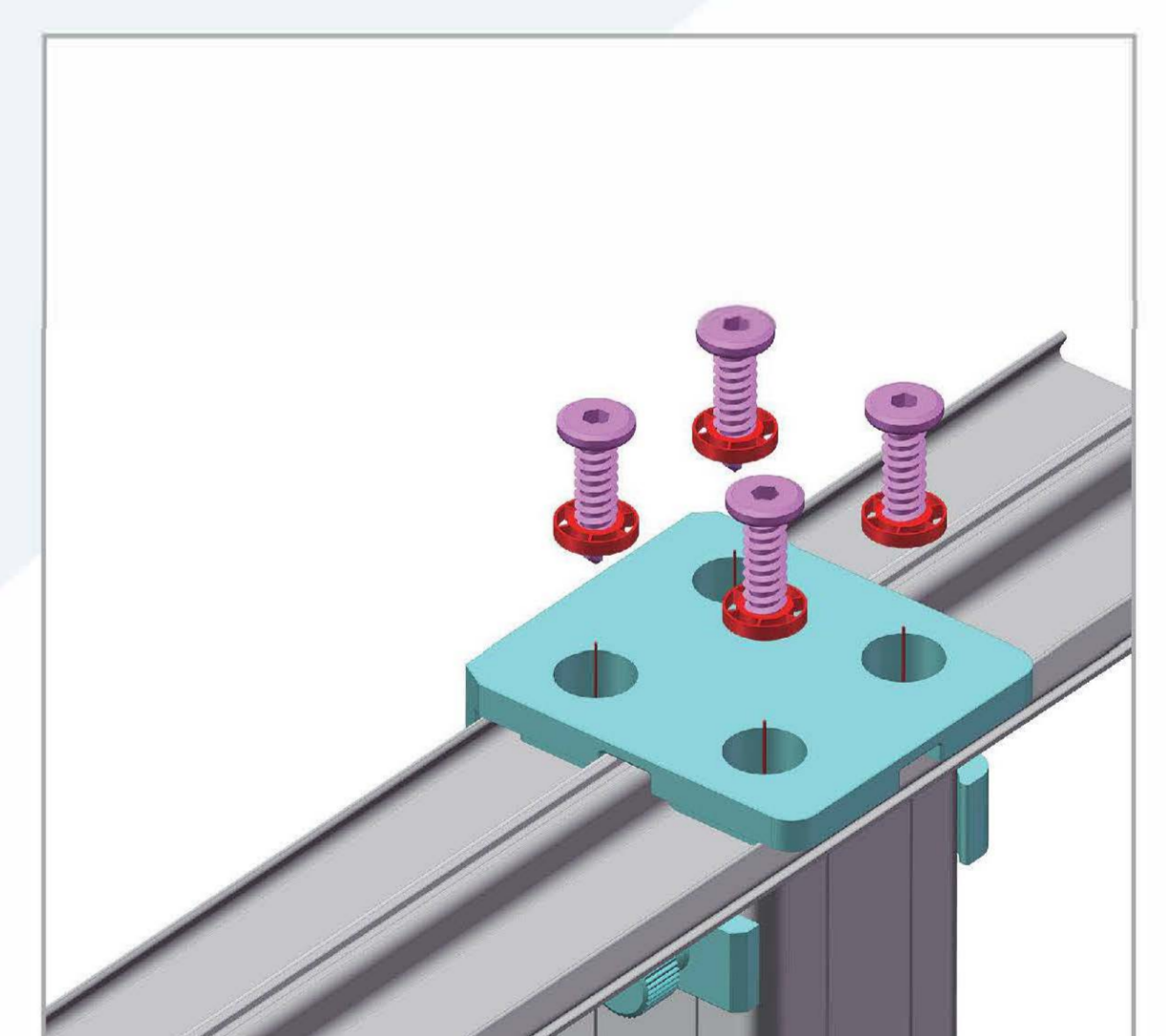
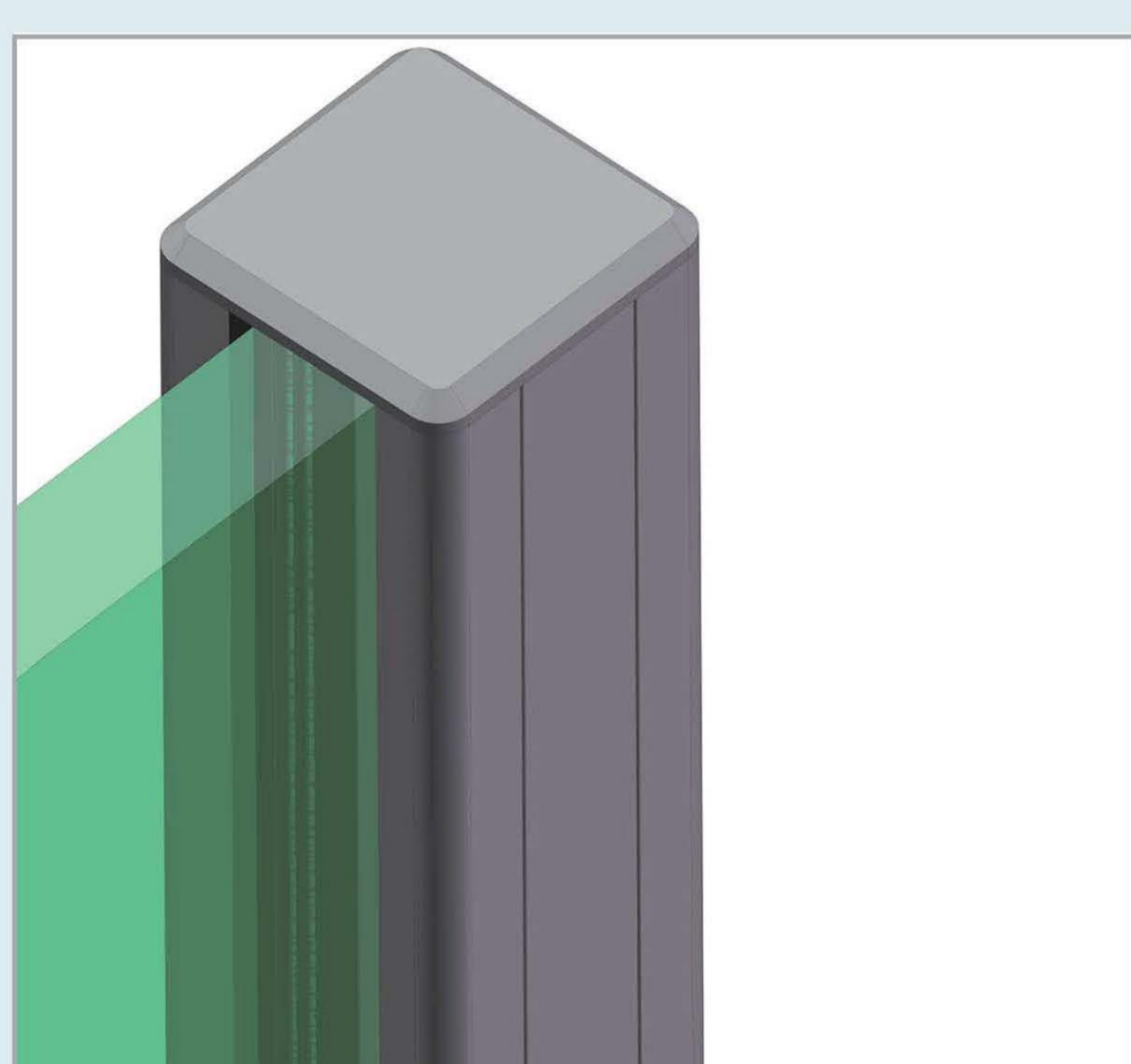
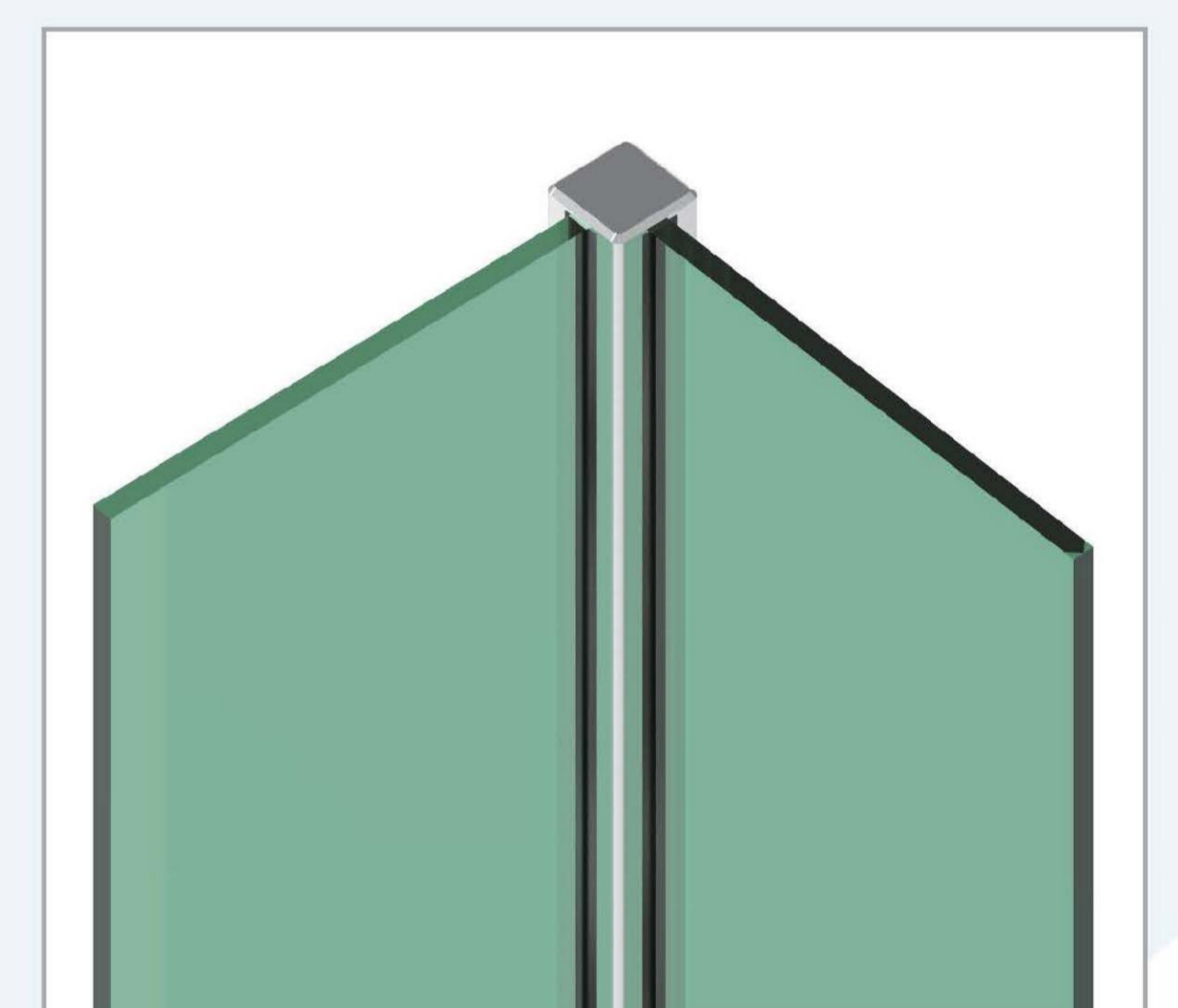
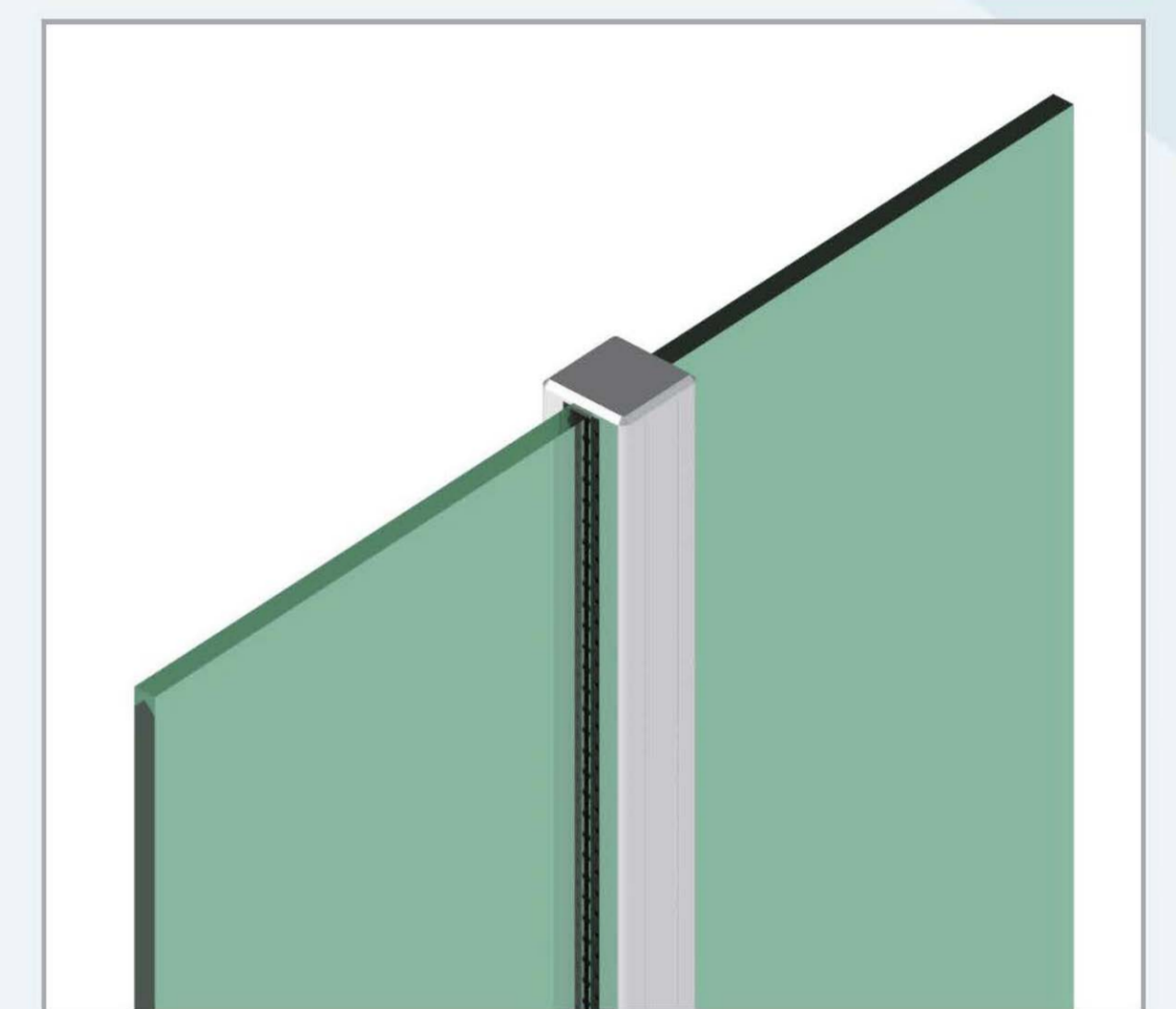
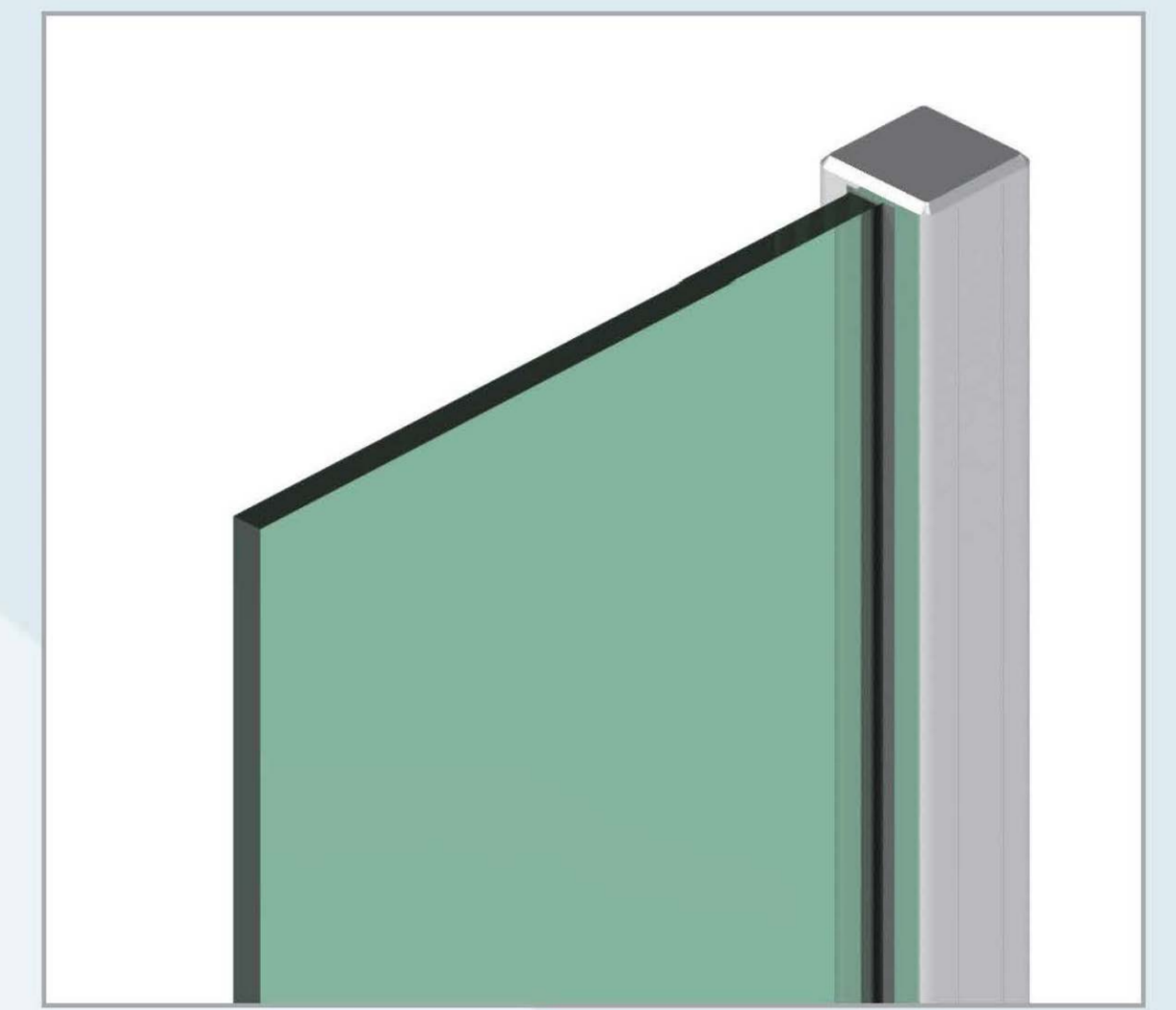


ALUMINIUM POST GLASS RAILING SYSTEM



- ▲ Frameless view available
- ▲ For 10 + 11.52mm glass
- ▲ Tested to 1.5 kN/m
- ▲ Quality aluminum construction
- ▲ Fast and easy assembly
- ▲ Hidden fasteners, no welds, no rivets
- ▲ Satin anodised & Powder coated finishes

