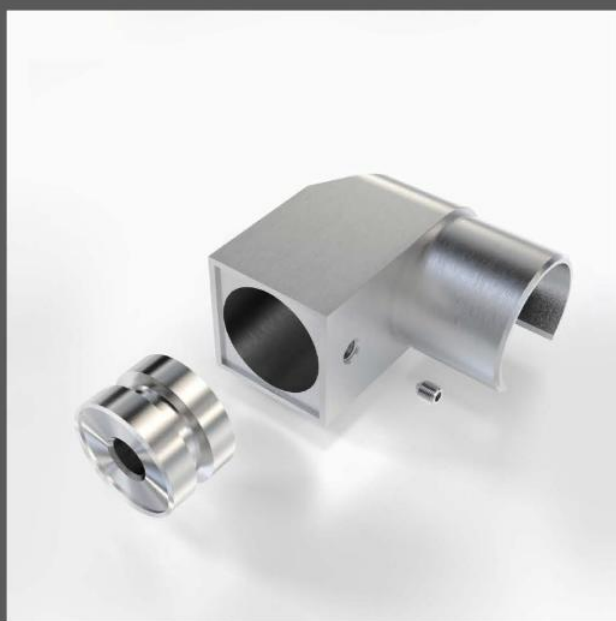


KT Juliet Set



KT-Juliet-Set
 316 Grade Satin Finish
 Juliet Balcony Set (Not Including Glass)
 Includes 4 x Brackets Suitable for 42.4mm Slotted Tube

Slotted Tube
 RO1002
 42.4 x 1.5mm Wall
 304 or 316 Grade Satin
 3 or 6 Metre Lengths

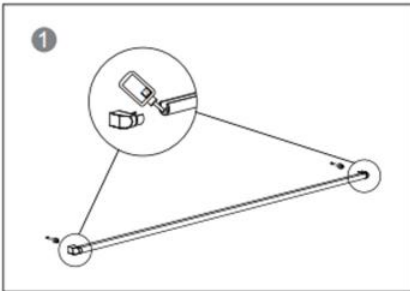
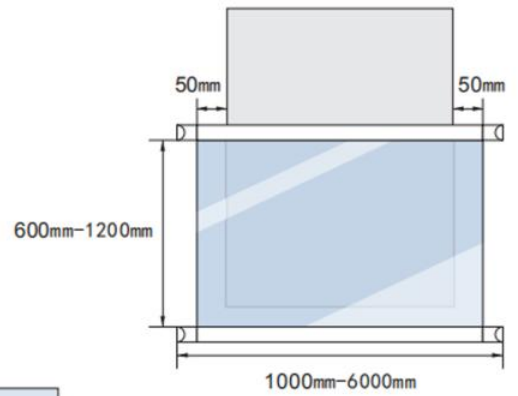
KT-Juliet-Bracket
 316 Grade Satin Finish
 Mid-Bracket for Juliet Set

*Suitable for 12 - 17.52mm Glass

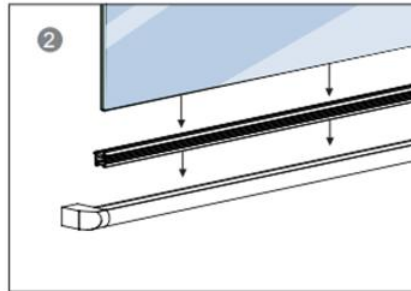
**Installation instructions available upon request

Material	Type
SS 304/316	End Bracket
SS 304/316	Center Bracket
EPDM	Installation Gasket
SS 304/316	Handrail Tube-5m

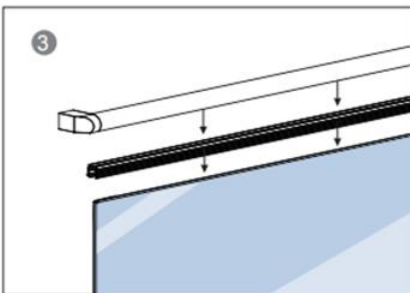
- Mounting hardware and stainless steel glue required for installation
- For installation on solid brick or concrete
- Items sold separately



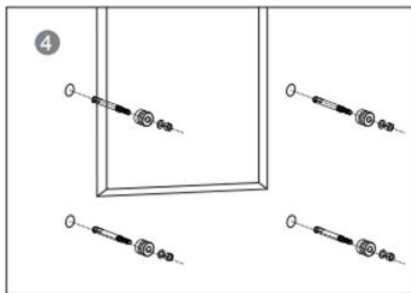
1. Glue the top and bottom brackets to the top and bottom handrails.



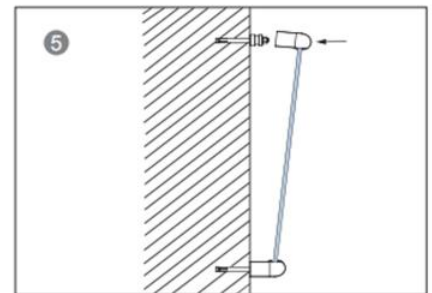
2. Place a gasket in the bottom handrail and insert the bottom of the glass panel.



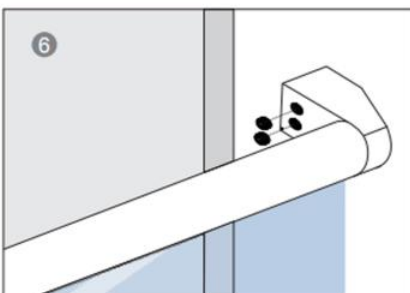
3. Place a gasket in the top handrail and install onto the top of the glass panel.



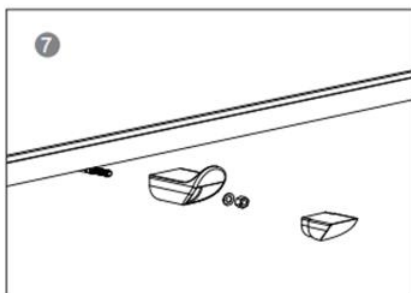
4. Remove the base from the end brackets and install to the wall.



5. Mount the top handrail onto the end bracket bases.

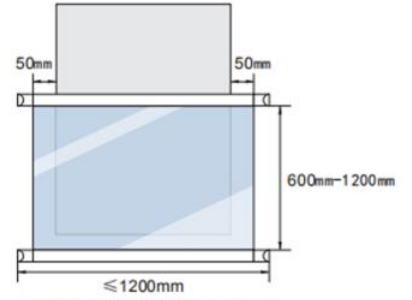
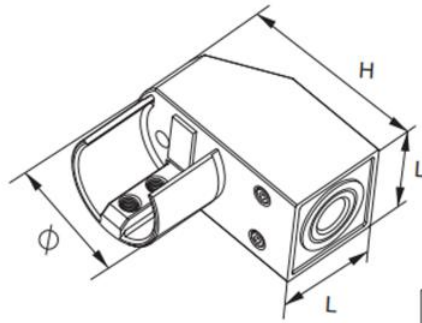


6. Tighten the fixing screws to finish the installation.

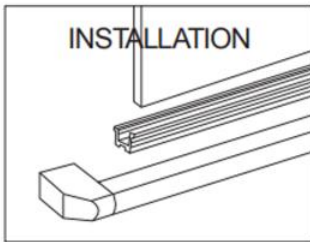


7. If needed, install center brackets so that they are of equal distance apart.

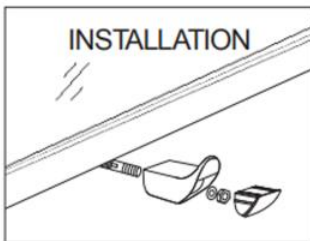
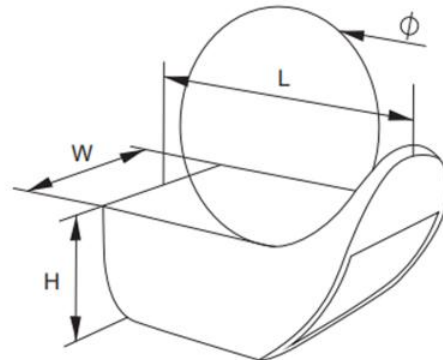
$\leq 1200\text{mm}$: No center brackets required
 1200-3000mm: 1 center brackets required
 3000-4600mm: 2 center brackets required
 4600-6200mm: 3 center brackets required



Mid brackets are required for balconies longer than 1200mm, see instructions.



Material	φ (mm)	H (mm)	L (mm)	Glass Thickness
SS 304/316	42.4	67	37	8-17.52



Material	φ (mm)	W (mm)	H (mm)	L (mm)
SS 304/316	42.4	50	40	76.5