

# Lock system

## Column Lock System

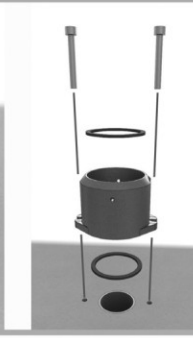
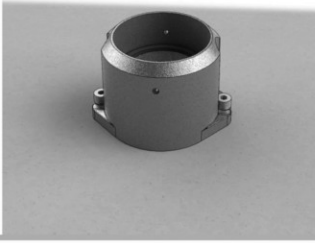
1

### Bottom fixing

Fasten the piece into the ground with bolts.

For water pipes diameter 60 mm.

Can be used on surfaces such as  
 - Concrete  
 - Wood  
 - Paving tiles



3

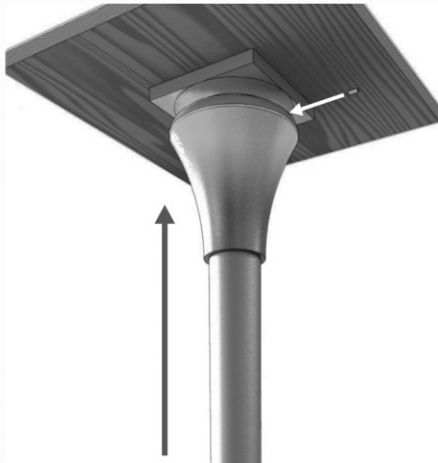
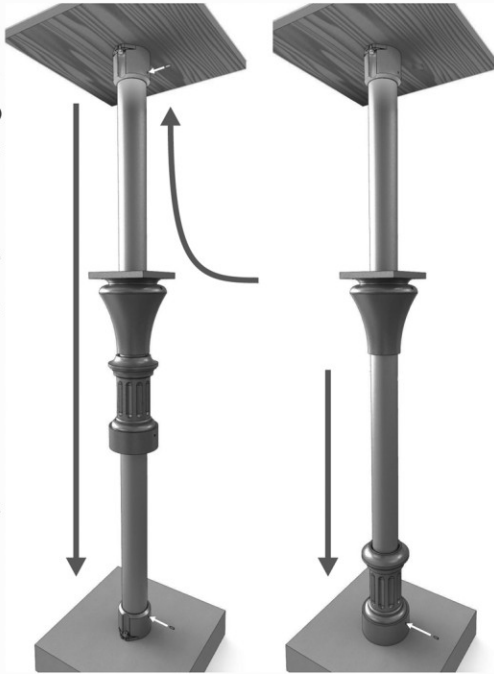
### Fixing the shaft and the end elements

Wrap the shaft into a protective sheet (celluloid or similar) in order to protect the lacquering, and put the decorative elements on the shaft. Maintain in place.

Insert the shaft into the top fixing, and then let it go into place in the bottom fixing.

Fix the shaft to the fixing systems with screws.

Drill and tap small holes into the decorative elements, and use umbraco-type bolts to fix these elements to the shaft.



2

### Top fixing type 1

Fix the piece to the ceiling with bolts.

For water pipes diameter 60 mm.

Can be used on surfaces such as  
 - Concrete  
 - Wood  
 - Paving tiles

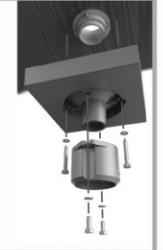
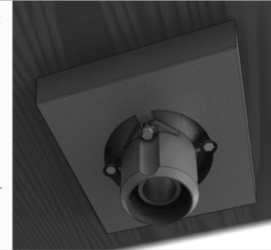


### Top fixing type 2

Fix the casing to the ceiling with bolts;

bolt the piece to the casing.

For water pipes diameter 100 mm.



### Top fixing type 3

Bolt the square to the casing;

bolt the corner piece to the casing;

bolt the corner-piece to the wall.

For water pipes diameter 100 mm.

