

GLH10-MS-125

Aluminium Spigot System for Swimming Pools and Balconies

GLH10-MS-125 is an aluminium base to create balustrades on swimming pools and balconies. It can be used for glass up to 1500mm wide, mounted and screwed on concrete, or in an adequate durable steel construction. It is designed for 12mm, 15mm and 17.52mm glass. Suitable for width of 1000mm to 1500mm. With wider glass, 3pcs of GLH10-MS-125 must be used and only 2 pcs for 1000mm wide.

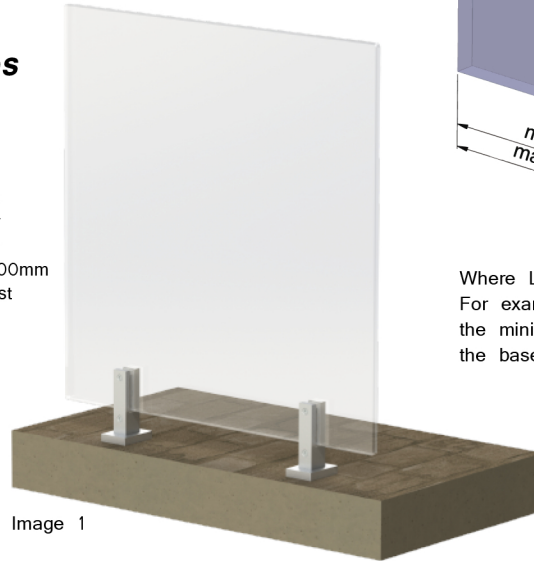


Image 1

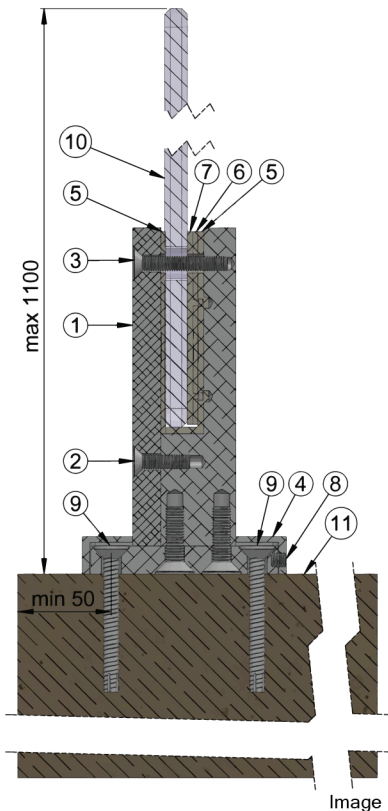
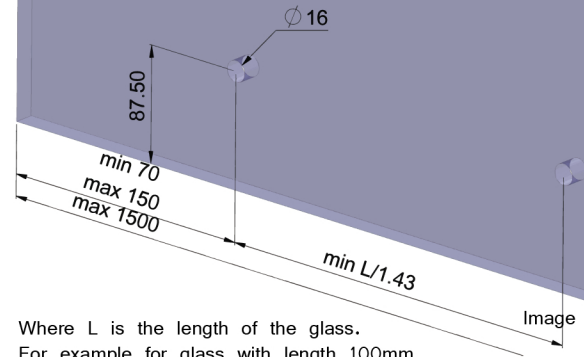


Image 2

Installation Instructions and Permitted Dimensions

1. GLH10-MS-125
2. M8x30mm DIN7991 Stainless Steel
3. M8x50mm DIN7991 Stainless Steel
4. MS-124 Cover
5. N.1 PA6 Main Wedges for 17.52mm Glass
6. N.2 PA6 Wedge to be added for 15mm Glass
7. N.3 PA6 Wedge to be added for 12mm Glass
8. M6x5mm DIN913 Stainless Steel
9. Fixing with concrete screws
Fischer FBS II 8x90 40/25 SK or
Hilti HUS-3 C8x85mm 35/25/15
Heavy Duty Anchors
Fischer FH II 15/M10 with M10x50mm
countersunk screw or
FH II 10/50 SK M6, or any comparable
anchor
10. Glass with thickness 12, 15, or 17.52mm
11. Floor Level



Where L is the length of the glass.
For example for glass with length 1000mm
the minimum distance between the centres of
the base is $1000/1,43 = 700\text{mm}$.

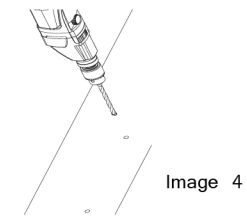


Image 4

Use a hammer drill with a hammer bit to open the holes with dimensions according to the fixation method that will be used.

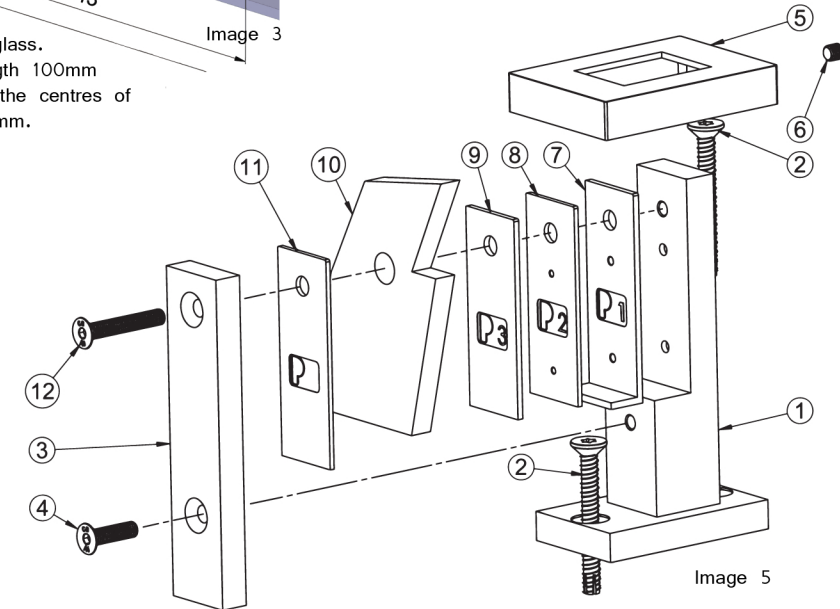
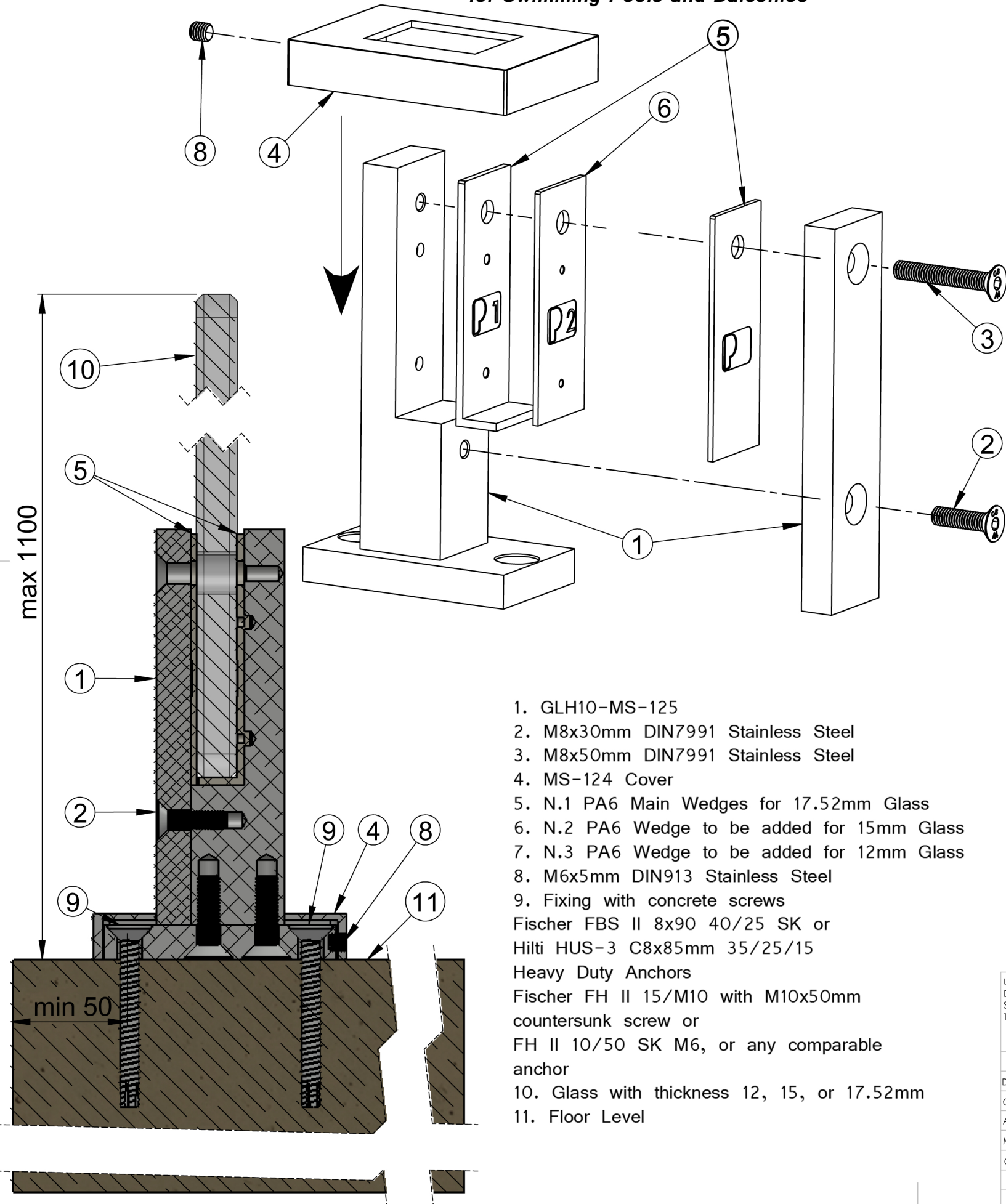


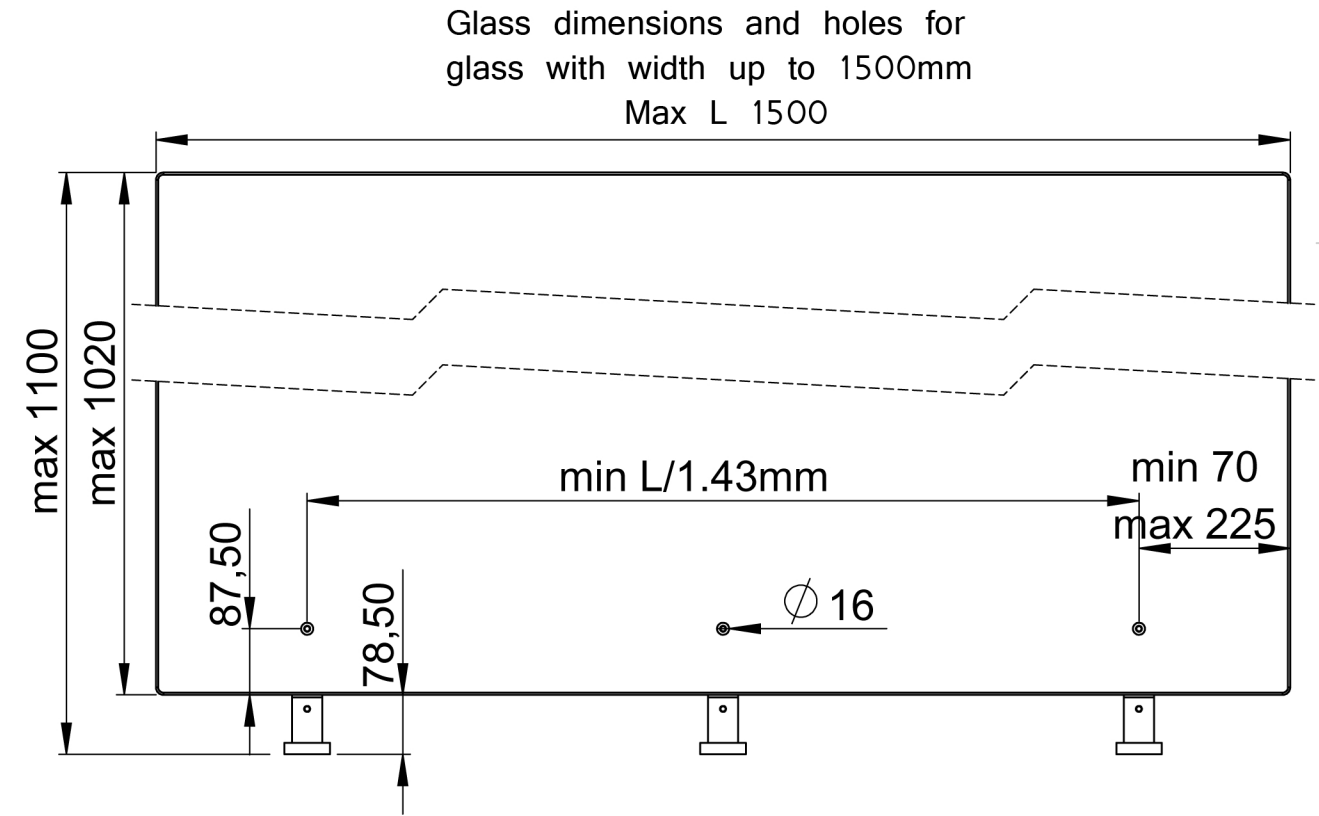
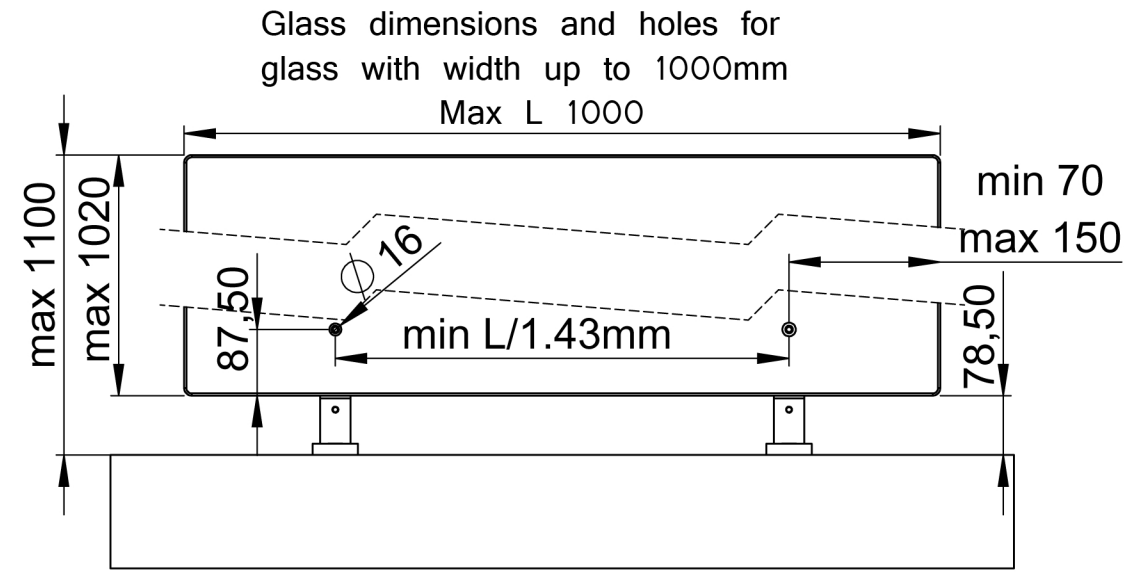
Image 5

Install the base part of the GLH10-MS-125 (1) on the floor with the fixation method that you have chosen (2). Put in front the front part of the spigot (3) and screw the M8x30mm DIN7991 stainless steel screw (4). Add the base lid (5) and the lock screw of it M6x5mm DIN913 stainless steel screw (6). Install the N.1 wedge for 17.52mm glass (7), add the N.2 for 15mm glass (8) and add also the N.3 for 12mm glass (9). Next add the glass (10) and the front wedge (11). Finally screw the M8x50mm DIN7991 stainless steel screw (12). If everything works, tighten all the screws.

**Aluminium Spigot System
for Swimming Pools and Balconies**



- 1. GLH10-MS-125
- 2. M8x30mm DIN7991 Stainless Steel
- 3. M8x50mm DIN7991 Stainless Steel
- 4. MS-124 Cover
- 5. N.1 PA6 Main Wedges for 17.52mm Glass
- 6. N.2 PA6 Wedge to be added for 15mm Glass
- 7. N.3 PA6 Wedge to be added for 12mm Glass
- 8. M6x5mm DIN913 Stainless Steel
- 9. Fixing with concrete screws
Fischer FBS II 8x90 40/25 SK or
Hilti HUS-3 C8x85mm 35/25/15
Heavy Duty Anchors
- Fischer FH II 15/M10 with M10x50mm
countersunk screw or
FH II 10/50 SK M6, or any comparable
anchor
- 10. Glass with thickness 12, 15, or 17.52mm
- 11. Floor Level



UNLESS OTHERWISE SPECIFIED: DIMENSIONS ARE IN MILLIMETERS SURFACE FINISH: TOLERANCES: LINEAR: ANGULAR:				DEBUR AND BREAK SHARP EDGES		DO NOT SCALE DRAWING		REVISION	
Kensington Balustrade Systems									
NAME	SIGNATURE	DATE							
DRAWN									
CHK'D									
APPV'D									
MFG									
Q.A					MATERIAL:		DWG NO.		
					6063-T6		GLH10-MS-125		A3
					WEIGHT:				
								SHEET 1 OF 1	