

Kensington
Balustrade
Systems



DELIVERY PROGRAM
UNIQ SB-OXS

the basis for every balustrade



6 REASONS TO CHOOSE UNIQ





SMART CLAMPING



The patented clamping strip holds the glass securely in place. The lack of wedges means no stress in the glass, with the tension distributed evenly across the entire pane.

ADJUSTABLE



The profiles are secured via adjustable nuts, meaning that the profiles are always level and the glass is always straight, no matter how uneven the surface.

QUICK ASSEMBLY



Assembling a balustrade has never been so quick and easy: secure the profile, put the glass in place, apply the clamping strip and tighten the bolts. That's it!

SAFE



The clamping strip guarantees the glass will never come loose. It's the ultimate in safety.

LIGHT AND STRONG



The sophisticated hollow design makes the profiles lighter and stronger. It's the best choice both, structurally and financially.

ELEGANT FINISHING



The lack of rubbers ensures a stylish look. Various covers are available for finishing the floor and front side: simply click them into place.

ABOUT UNIQ

UNIQ STANDS FOR BEAUTIFUL AND SAFE

Transparency and light are important principles in the design of homes and buildings. Glass balustrades fit in perfectly with this. They offer an unobstructed view of the surroundings and the luxurious appearance makes every balcony, loft, terrace or staircase a true jewel. Safety comes first. That is why the UNIQ profiles have been internationally tested and certified.

NO MORE RUBBERS

To ensure the floor blends seamlessly into the glass, UNIQ uses no ugly rubbers. This creates a smooth, stylish finish that elegantly accentuates any architectural style.

FINISHING

A variety of aluminium covers can be easily clicked onto the base profile. Covers are available for both the floor side and the front side to ensure the perfect finish for your balustrade.

FOR EVERY STYLE AND TASTE

The UNIQ profiles and covers for finishing are supplied in a beautiful stainless steel look as standard. Or opt for the satin black anodized profiles, which fit perfectly with the industrial living trend and are also available from stock. The profiles are also available in brute, so that they can be finished in any desired colour.

ALWAYS THE RIGHT PROFILE

The 0.36 kN profiles are the lightest and smallest in the range and are intended for the private sector. They are available for mounting on or against the floor.

The different profiles of the 1kN series are suitable for all kinds of balustrades. By using the plating covers they are completely invisible and are mainly used in new constructions. The smaller S versions are more often used for renovation projects. These profiles are mounted on or against an already finished floor.

The 1.5 kN profiles are an excellent option for high-rise projects, especially for balconies in places where wind loads are decisive. With these profiles, thinner glass can be used in many cases, which saves costs.

The 3 kN profiles are the strongest profiles in the range. With a line load of up to 3 kN/m, they are real powerhouses and suitable for applications in places where large groups of people come together, such as sports buildings, cinemas and theatres.

The OXS profile has been specially developed for creating windbreaks. The same system, the same sleek appearance, but smaller in size and therefore an almost inconspicuous yet strong basis for a windbreak up to a maximum height of 90 cm.



OUR WIDE RANGE OF STAINLESS STEEL RAILING PARTS OFFERS ALL COMPONENTS TO CREATE SAFE AND STYLISH BALUSTRADES. ALSO AVAILABLE IN SATIN BLACK.



FOR EVERY PROJECT

the right profile

Nowadays, glass balustrades can be found in numerous construction projects. The extensive range of UNIQ profiles is versatile. From private balconies, holiday villas and apartment complexes to commercial buildings, shop premises, interiors and along terraces, UNIQ has the right profile for every large or small project. Here is a small selection of the many projects where UNIQ profiles have been used.





Compagnie Het Zoute, project La Rive - La Réserve II



Compagnie Het Zoute, project La Rive - La Réserve II



Compagnie Het Zoute, project La Rive - La Réserve II

“

THE EXTENSIVE PACKAGE OF UNIQ
PROFILES IS PARTICULARLY VERSATILE

UNIQUE CLAMPING STRIP

The patented, continuous clamping strip makes the UNIQ system truly unique. With this clamping strip, the way the glass is held in place is substantially different from other systems, which brings significant benefits.



UNIQUE IN MOUNTING AND POSITIONING POSSIBILITIES

In addition to structural anchors, the O and A profiles can be mounted with a second row of anchors. These anchors are especially for leveling the profiles. The glass is completely and evenly clamped with the patented clamping strip, which avoids high tension in the glass.

DOUBLE SAFETY

The continuous clamping strip is secured in two ways. Cogging on both the clamping strip and the profile works as the first locking. The tightening of the specially designed bolts ensures the second locking.

Tapping the clamping strip



WITH THE HANDY TOOL
ON THE WEBSITE YOU CAN
COMPILE AND VIEW YOUR
BALUSTRADE



The continuous clamping strip is clearly visible

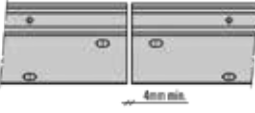
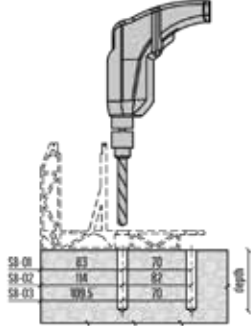
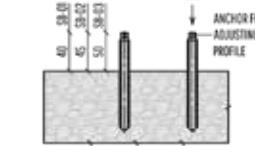
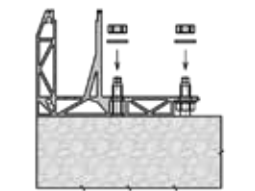
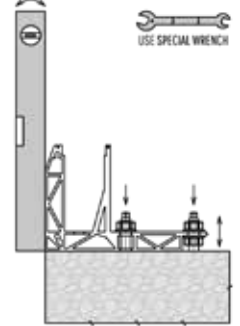
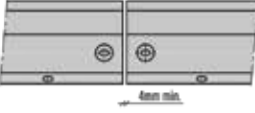
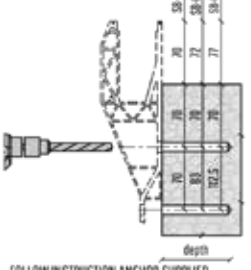
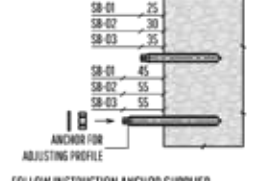
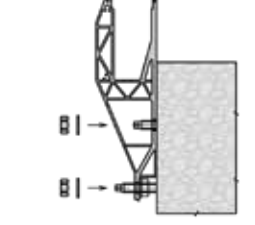
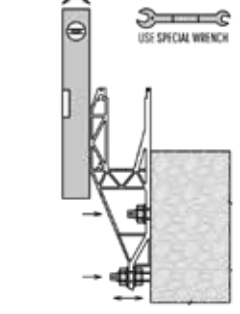
MOUNTING UNIQ STEP BY STEP



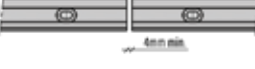
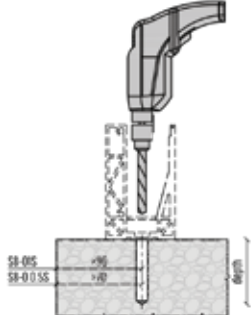
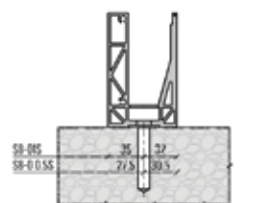
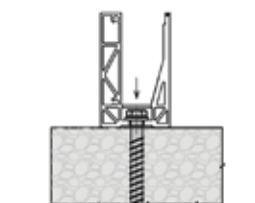

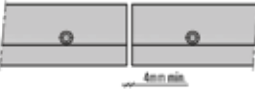
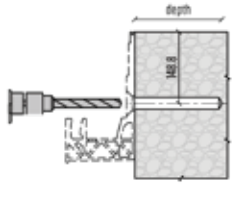
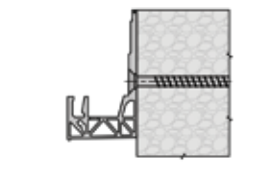
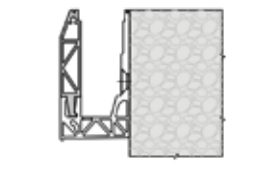
Check the instruction video

PROFILE MOUNTING

PROFILE MOUNTING SB-01 / SB-02 / SB-03 / SB-A1 / SB-A2 / SB-A3

<p>SB-01 / SB-02 / SB-03</p> <p>ANCHOR INDOOR SB-01 : FIS A M10x170 • Injection FIS SB 390 S SB-02 : FIS A M10x170 • Injection FIS SB 390 S SB-03 : FIS A M10x200 • Injection FIS SB 390 S</p> <p>ANCHOR OUTDOOR SB-01 : FIS A M10x170 • Injection FIS SB 390 S A4 SB-02 : FIS A M10x170 • Injection FIS SB 390 S A4 SB-03 : FIS A M10x200 • Injection FIS SB 390 S A4</p> <p>DILATATION (OUTDOOR)</p> 	<p>1 - DRILL HOLES</p>  <p>FOLLOW INSTRUCTION ANCHOR SUPPLIER</p>	<p>2 - PLACE ANCHORS AND ADJUSTING NUTS</p>  <p>FOLLOW INSTRUCTION ANCHOR SUPPLIER</p>	<p>3 - INSTALL PROFILE</p>  <p>DON'T FIX UPPER BOLTS BEFORE ADJUSTING PROFILE</p>	<p>4 - ADJUST PROFILE AND TIGHTEN BOLTS</p>  <p>USE SPECIAL WRENCH</p> <p>FIX UPPER BOLTS AFTER ADJUSTING PROFILE</p>
<p>SB-A1 / SB-A2 / SB-A3</p> <p>ANCHOR INDOOR SB-A1 : FIS A M10x150 • Injection FIS SB 390 S SB-A2 : FIS A M12x210 • Injection FIS SB 390 S SB-A3 : FIS A M12x210 • Injection FIS SB 390 S</p> <p>ANCHOR OUTDOOR SB-A1 : FIS A M10x150 • Injection FIS SB 390 S A4 SB-A2 : FIS A M12x210 • Injection FIS SB 390 S A4 SB-A3 : FIS A M12x210 • Injection FIS SB 390 S A4</p> <p>DILATATION (OUTDOOR)</p> 	<p>1 - DRILL HOLES</p>  <p>FOLLOW INSTRUCTION ANCHOR SUPPLIER</p>	<p>2 - PLACE ANCHORS AND ADJUSTING NUTS</p>  <p>FOLLOW INSTRUCTION ANCHOR SUPPLIER</p>	<p>3 - INSTALL PROFILE</p>  <p>DON'T FIX UPPER BOLTS BEFORE ADJUSTING PROFILE</p>	<p>4 - ADJUST PROFILE AND TIGHTEN BOLTS</p>  <p>USE SPECIAL WRENCH</p> <p>FIX UPPER BOLTS AFTER ADJUSTING PROFILE</p>

PROFILE MOUNTING SB-01S / SB-0.5S / SB-A1S

<p>SB-01S / SB-0.5S</p> <p>ANCHOR INDOOR SB-01S : FBS 12x30/30 US SB-0.5S : FBS 10x120/35 US</p> <p>ANCHOR OUTDOOR SB-01S : FBS 12x30/30 US SK A4 SB-0.5S : FBS 10x120/35 US SK A4</p> <p>DILATATION (OUTDOOR)</p> 	<p>1 - DRILL HOLES</p>  <p>FOLLOW INSTRUCTION ANCHOR SUPPLIER</p>	<p>2 - INSTALL PROFILE</p>  <p>FOLLOW INSTRUCTION ANCHOR SUPPLIER</p>	<p>3 - TIGHTEN BOLTS</p>  <p>FOLLOW INSTRUCTION ANCHOR SUPPLIER</p>	<p>ASSEMBLY INSTRUCTION VIDEO</p> 
<p>SB-A1S</p> <p>ANCHOR INDOOR SB-A1S : FBS 10x120/35 SK</p> <p>ANCHOR OUTDOOR SB-A1S : FBS 10x120/35 SK A4</p> <p>DILATATION (OUTDOOR)</p> 	<p>1 - DRILL HOLES</p>  <p>FOLLOW INSTRUCTION ANCHOR SUPPLIER</p>	<p>2 - INSTALL FIRST PROFILE</p>  <p>FOLLOW INSTRUCTION ANCHOR SUPPLIER</p>	<p>3 - INSTALL SECOND PROFILE</p> 	<p>PAY ATTENTION</p> <p>The UNIQ profiles comply with international regulations. The assembly and selection of the fasteners remain at all times the responsibility of the person who assembles the profiles.</p>

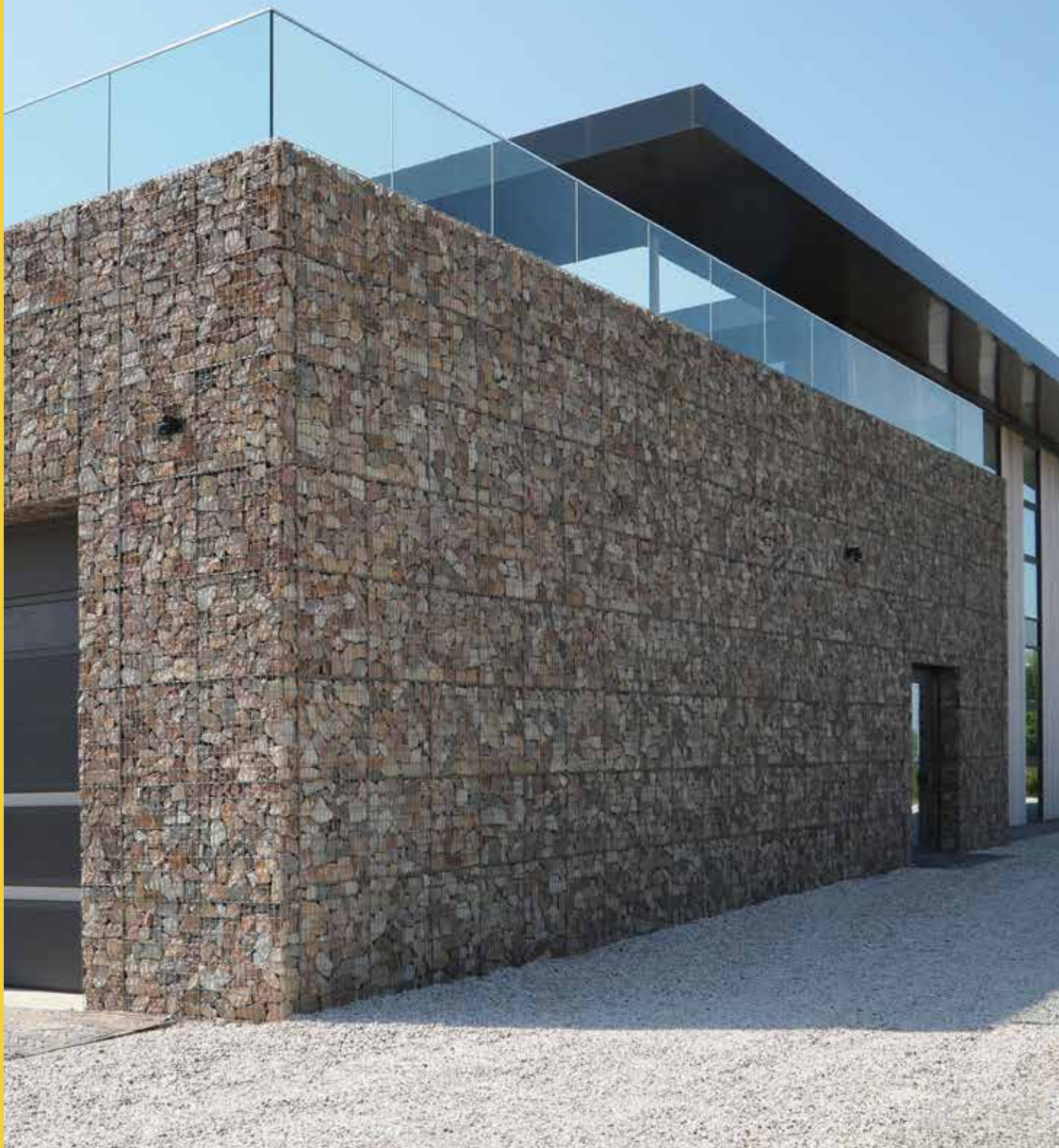
Kensington Balustrade Systems

The Kensington brand name is synonymous with product excellence and quality. Our record of customer satisfaction extends over a 25-year period with repeat specification from architects, interior designers, house builders and metalworkers forming the major part of our business. With an extensive list of over 5,000 products to offer, here at Kensington Traders we can proudly claim to be a leading wholesaler of architectural metalwork components and fittings and proud UK stockists of the 'UNIQ Framless Glass Balustrade' structural glazing system.

Our technical department is available to offer advice on such matters as Building regulations, appropriate styles and sizes. For those seeking to install staircases, working drawings form an integral part of the quotation package.



**YOUR HOME SURROUNDINGS
WILL BE GREATLY ENHANCED
BY THE USE OF A
KENSINGTON PRODUCT.**





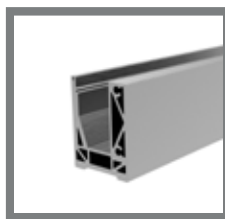
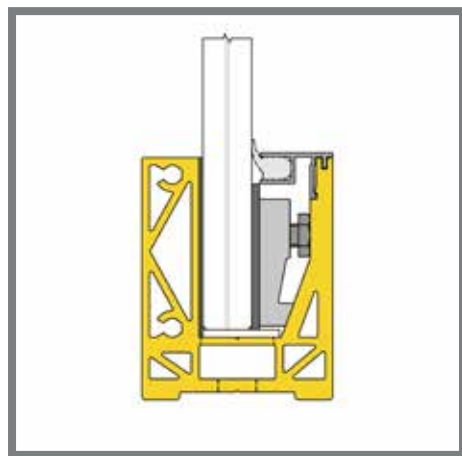
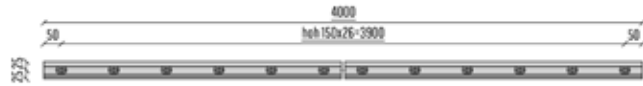
“

UNIQU PROFILES CLAMP THE GLASS COMPLETELY.
WHERE THE BALCONY ENDS, THE GLASS BEGINS



UNIQ SB-OXS | TOP MONTAGE

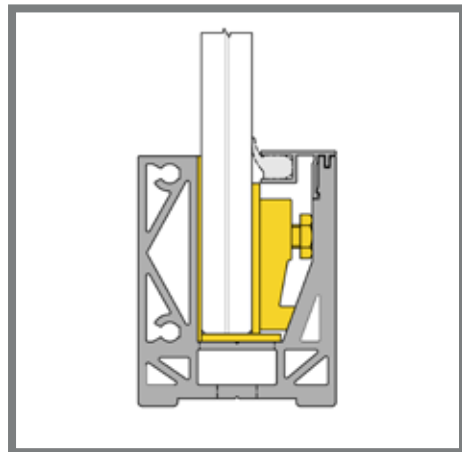
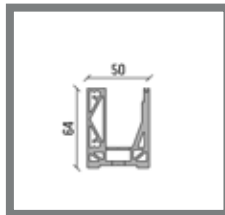
SB-OXS is not suitable for structural or safety purposes.



BASE PROFILE

- 2090574 SB-OXS Brute
- 2089695 SB-OXS Stainless look

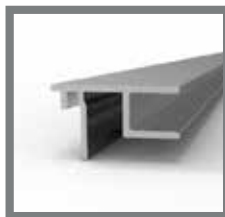
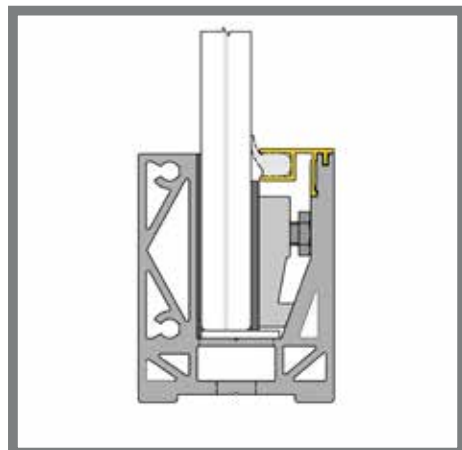
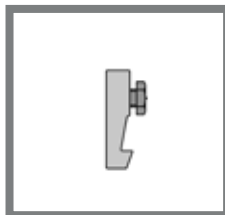
L
4000 mm
4000 mm



GLASS MOUNTING SET (GMS)

- 2090155 GMS-S1 - 4/4/pvb
- 2090156 GMS-XS1 - 6/6/pvb
- 2090155 GMS-S1 - 8
- 2090156 GMS-XS1 - 12

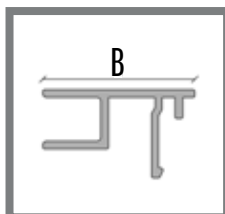
L
4000 mm
4000 mm
4000 mm
4000 mm



REAR COVER

- 2089104 CR-L1 - 4/4/pvb - Brute
- 2089358 CR-L1 - 4/4/pvb - Stainless look
- 2090575 CR-XS1 - 6/6/pvb - Brute
- 2089698 CR-XS1 - 6/6/pvb - Stainless look
- 2089104 CR-L1 - 8 - Brute
- 2089358 CR-L1 - 8 - Stainless look
- 2090575 CR-XS1 - 12 - Brute
- 2089698 CR-XS1 - 12 - Stainless look

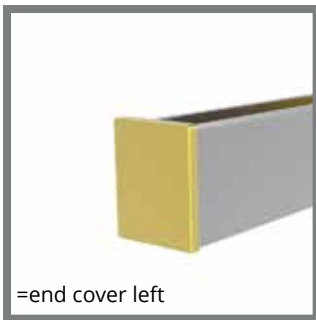
B **L**
21 4000 mm
21 4000 mm
19 4000 mm
19 4000 mm
21 4000 mm
21 4000 mm
19 4000 mm
19 4000 mm



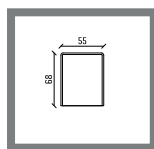
OPTIONAL FOR REAR COVER

- 1012309 Rubber for the cover rear

L
1000 mm



=end cover left



END COVERS

- 2090568 SB-OXS end cover left, Brute
- 2090558 SB-OXS end cover left, Stainless look
- 2090573 SB-OXS end cover right, Brute
- 2090563 SB-OXS end cover right, Stainless look

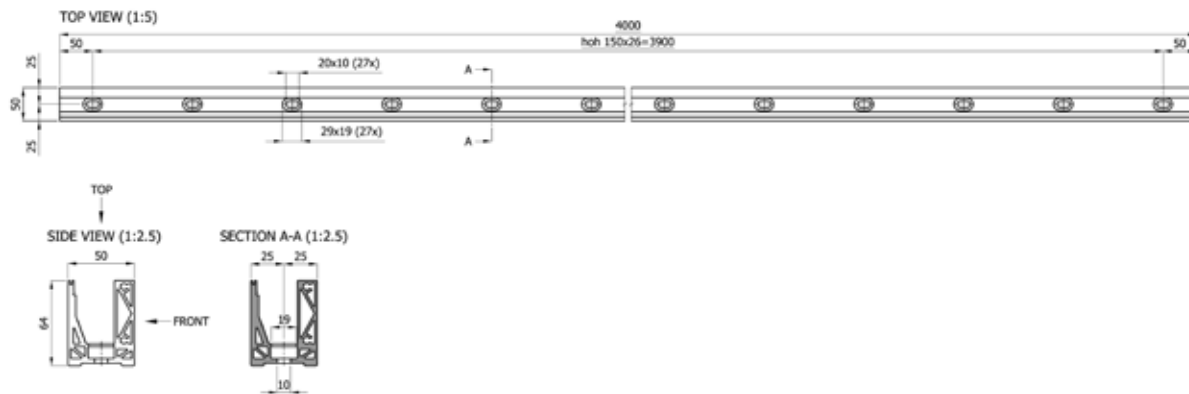
Small color differences between end caps and profiles are possible.



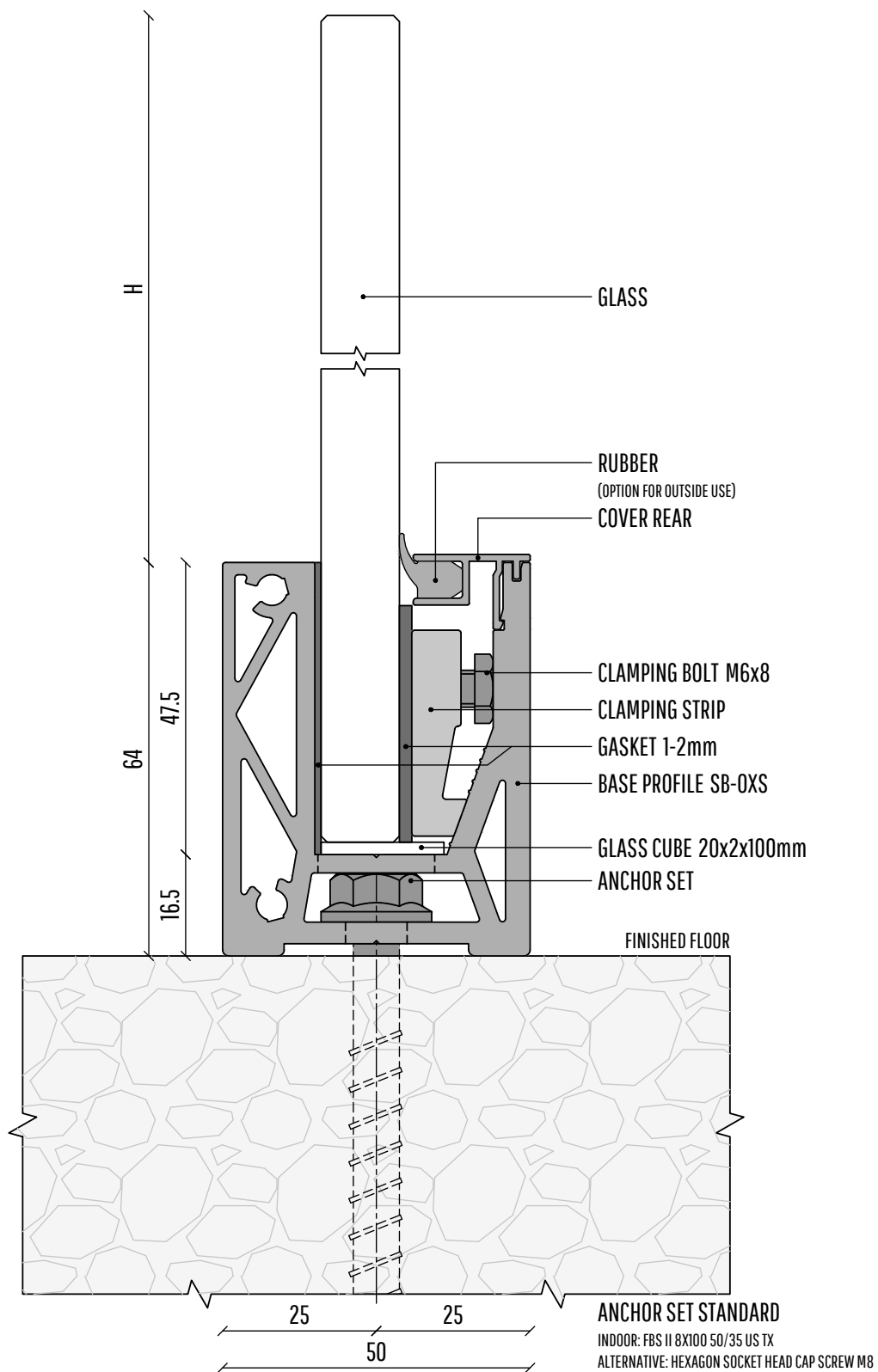
Check the instruction video



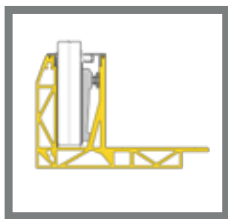
UNIQU SB-OXS | INFO



Glass	Hight (H)	Execution	Windload
4.4.2	600	tempered	1.5kN/m ²
	900	tempered	0.6kN/m ²
6.6.2	600	tempered	3.0kN/m ²
	900	tempered	1.4kN/m ²
8	600	tempered	2.0kN/m ²
	900	tempered	0.6kN/m ²
	600	float	0.75kN/m ²
12	600	tempered	3.0kN/m ²
	900	tempered	1.4kN/m ²
	600	float	1.7kN/m ²
	900	float	0.75kN/m ²

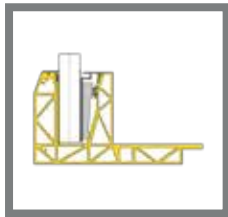


ANKERS FISCHER



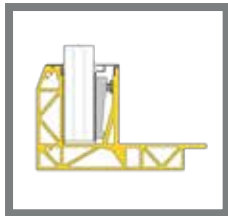
ANCHOR SB-01

		MVE	HOH	MRA
2008327	FIS injection mortar SB 390 S	6		
2089149	FIS RSB 10 MINI capsule (alternative)	10		
2089819	FIS RGM 10x170 Threaded rod indoor	10	300	70
2089820	FIS RGM 10x170 Threaded rod A4 outdoor	10	300	70



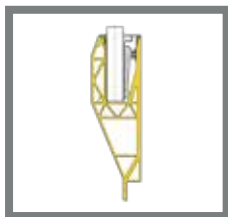
ANCHOR SB-02

		MVE	HOH	MRA
2008327	FIS injection mortar SB 390 S	6		
2089149	FIS RSB 10 MINI capsule (alternative)	10		
2089819	FIS RGM 10x170 Threaded rod indoor	10	300	100
2089820	FIS RGM 10x170 Threaded rod A4 outdoor	10	300	100



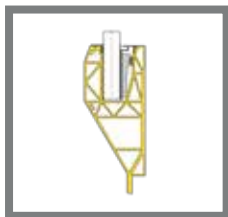
ANCHOR SB-03

		MVE	HOH	MRA
2008327	FIS injection mortar SB 390 S	6		
2089149	FIS RSB 10 MINI capsule (alternative)	10		
2089141	FIS RGM 10x200 Threaded rod indoor	10	300	100
2089144	FIS RGM 10x200 Threaded rod A4 outdoor	10	300	100



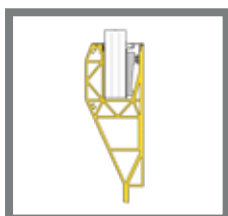
ANCHOR SB-A1

		MVE	HOH	MRA
2008327	FIS injection mortar SB 390 S	6		
2089149	FIS RSB 10 MINI capsule (alternative)	10		
2089142	FIS A M 10x150 Threaded rod indoor	10	300	70
2089814	FIS A M 10x150 Threaded rod A4 outdoor	10	300	70



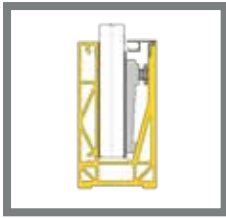
ANCHOR SB-A2

		MVE	HOH	MRA
2008327	FIS injection mortar SB 390 S6	6		
2089149	FIS RSB 10 MINI capsule (alternative)	10		
2089140	FIS A M 12x210 Threaded rod indoor	10	300	70
2089813	FIS A M 12x210 Threaded rod A4 outdoor	10	300	70



ANCHOR SB-A3

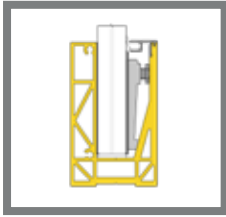
		MVE	HOH	MRA
2008327	FIS injection mortar SB 390 S	6		
2089149	FIS RSB 10 MINI capsule (alternative)	10		
2089140	FIS A M 12x210 Threaded rod indoor	10	300	70
2089813	FIS A M 12x210 Threaded rod A4 outdoor	10	300	70



ANCHOR SB-O 0.5S

MVE HOH MRA

2089145	FIS FBS II 10x120/35 US Concrete screw indoor	50	250	70
2089143	FIS FBS II 10x120/35 US Concrete screw A4 outd.	50	250	70



ANCHOR SB-01S

MVE HOH MRA

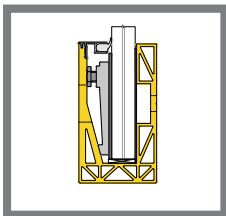
2089146	FIS FBS II 12x130/30 US Concrete screw indoor	20	250	80
2090469	FIS FBS II 12x130/30 US Concrete screw A4 outd.	20	250	80



ANCHOR SB-02S

MVE HOH MRA

2090470	FIS FBS II 12x110 50/35/10 US Concr. screw ind	20	150	90
2090471	FIS FBS II 12x110 10/- US Concr. screw A4 outd	20	150	90



ANCHOR SB-A 0.5SI

MVE HOH MRA

2089145	FIS FBS II 10 x 120/35 US Concr. screw indoor	50	250	70
2089143	FIS FBS II 10 x 120/35 US Concr. screw A4 outd	50	250	70



ANCHOR SB-A1S

MVE HOH MRA

2089821	FIS FBS II 10x120/35 SK Concrete screw indoor	50	250	70
2074809	FIS FBS II 10x120/35 SK Concrete screw A4 outd.	50	250	70



ANCHOR SB-A2S

MVE HOH MRA

2089821	FIS FBS II 10x120/35 SK Concrete screw indoor	50	100	70
2074809	FIS FBS II 10x120/35 SK Concrete screw A4 outd.	50	100	70

MVE = Minimum sales quantity
HOH = Center to center distance in millimeters
MRA = Normative edge distance in millimeters

MOUNTING TOOLS



TAPPING TOOL

2089137 Tapping tool



MOUNTING WRENCH

2089138 Mounting wrench



CONNECT PIN

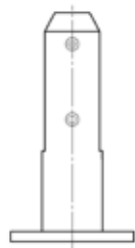
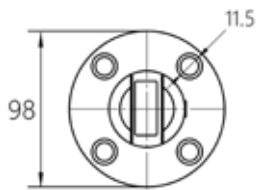
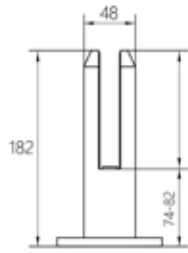
2089139 Connect pin



SPIGOT

Round Spigot

S



Duplex 2205
satin



Glass

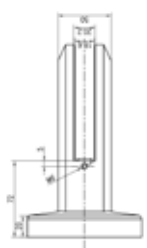
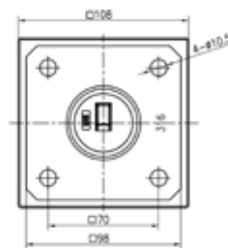
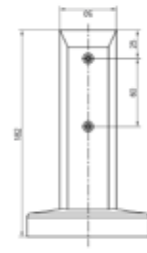
0397.000.225

1

13,52 –17,52mm

Square Spigot

S



Duplex 2205
satin



Glass

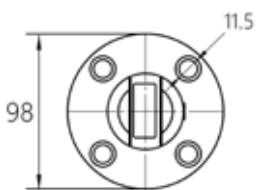
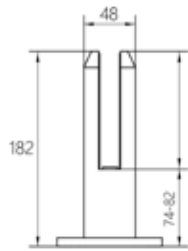
0398.000.225

1

13,52 –17,52mm

Round Spigot black

S



Duplex 2205
satin black



Glass

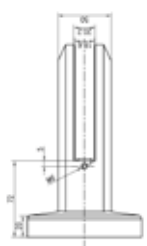
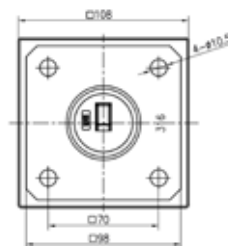
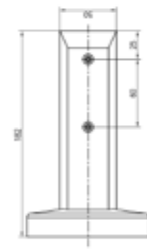
0397.000.225@

1

13,52 –17,52mm

Square Spigot black

S



Duplex 2205
satin black



Glass

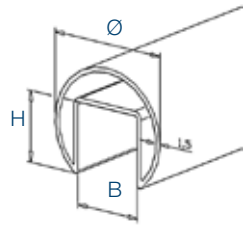
0398.000.225@

1

13,52 –17,52mm

SLOTTED TUBE SYSTEM

Slotted Tube

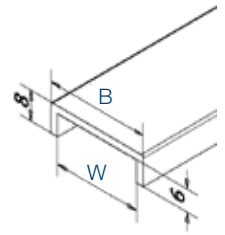


304 Indoor satin	H	B	Ø	L
2004975	6 24	24	42,4	6000
2004980	6 30	27	48,3	6000
2004989	6 34	34	60,3	6000

316 Outdoor satin	H	B	Ø	L
2004976	6 24	24	42,4	6000
2004981	6 30	27	48,3	6000
2004990	6 34	34	60,3	6000

316 Outdoor mirror	H	B	Ø	L
2043237	6 24	24	42,4	6000
2043238	6 30	27	48,3	6000

Aluminium U Profile

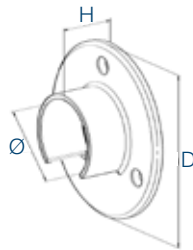


Aluminium RVS Look	Glass	B	W	L
1021315	4 10/10/pvb	28	24	4000
1021397	4 8/8/pvb	19	15	4000
1021317	4 6/6/pvb	24	20	4000

Aluminium satin black	Glass	B	W	L
1021828	4 10/10/pvb	28	24	4000
1021829	4 8/8/pvb	24	20	4000
1021830	4 6/6/pvb	19	15	4000

Wall flange

L S

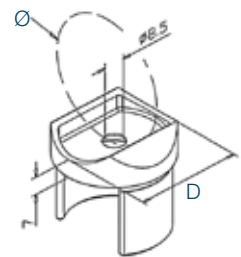


304 Indoor satin	D	Ø	H
1183.426.304	1 95	42,4	30
1183.486.304	1 100	48,3	35
1183.603.304	1 107	60,3	35

316 Outdoor satin	D	Ø	H
1183.426.316	1 95	42,4	30
1183.486.316	1 100	48,3	35
1183.603.316	1 107	60,3	35

Adaptor

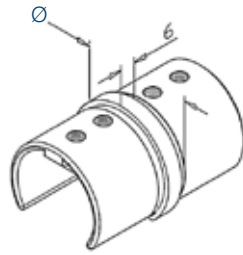
L S



304 Indoor satin	D	Ø
1502.424.304	2 42,4x1,5	42,4
1502.483.304	2 42,4x1,5	48,3
1503.483.304	2 48,3x1,5	48,3

316 Outdoor satin	D	Ø
1502.424.316	2 42,4x1,5	42,4
1502.483.316	2 42,4x1,5	48,3
1503.483.316	2 48,3x1,5	48,3

Tube connector

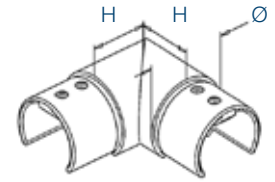


304 Indoor satin		Ø
1201.425.304	2	42,4x1,5
1201.485.304	2	48,3x1,5
1201.605.304	2	60,3x1,5

316 Outdoor satin		Ø
1201.425.316	2	42,4x1,5
1201.485.316	2	48,3x1,5
1201.605.316	2	60,3x1,5

316 Outdoor mirror		Ø
1201.425.316#	2	42,4x1,5
1201.485.316#	2	48,3x1,5

Tube connector horizontal 90°

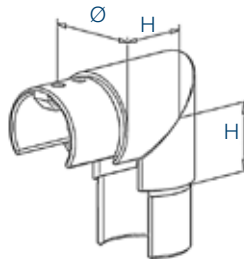


304 Indoor satin		Ø	H
1202.425.304	2	42,4x1,5	30
1202.485.304	2	48,3x1,5	35
1202.605.304	2	60,3x1,5	40

316 Outdoor satin		Ø	H
1202.425.316	2	42,4x1,5	30
1202.485.316	2	48,3x1,5	35
1202.605.316	2	60,3x1,5	40

316 Outdoor mirror		Ø	H
1202.425.316#	2	42,4x1,5	30
1202.485.316#	2	48,3x1,5	35

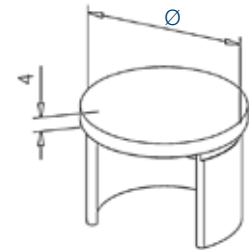
Tube connector vertical 90°



304 Indoor satin		Ø	H
1203.425.304	2	42,4x1,5	30
1203.485.304	2	48,3x1,5	35

316 Outdoor satin		Ø	H
1203.425.316	2	42,4x1,5	30
1203.485.316	2	48,3x1,5	35

End Cap



304 Indoor satin		Ø
1112.426.304	2	42,4x1,5
1112.486.304	2	48,3x1,5
1112.600.304	2	60,3x1,5

316 Outdoor satin		Ø
1112.426.316	2	42,4x1,5
1112.486.316	2	48,3x1,5
1112.600.316	2	60,3x1,5

316 Outdoor mirror		Ø
1112.426.316#	2	42,4x1,5
1112.486.316#	2	48,3x1,5

Tube connector adjustable **L**



Tube connector adjustable **L**



304 Indoor satin



D

1224.426.304	2	42,4x1,5
1224.485.304	2	48,3x1,5
1224.603.304	2	60,3x1,5

304 Indoor satin



D

1225.426.304	2	42,4x1,5
1225.485.304	2	48,3x1,5
1225.603.304	2	60,3x1,5

316 Outdoor satin



D

1224.426.316	2	42,4x1,5
1224.485.316	2	48,3x1,5
1224.603.316	2	60,3x1,5

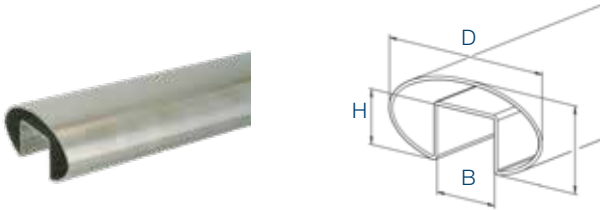
316 Outdoor satin



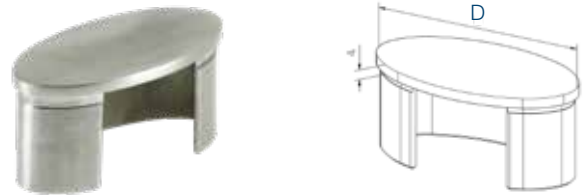
D

1225.426.316	2	42,4x1,5
1225.485.316	2	48,3x1,5
1225.603.316	2	60,3x1,5

Oval slotted tube



End Cap oval **L**



304 Indoor satin



H

B

D

L

2070442	6	26	33	80x40x1,5	6000
2073101	6	26	33	110x40x1,5	6000

304 Indoor satin



D

1112.804.304	2	80x40x1,5
1112.110.304	2	110x40x1,5

316 Outdoor satin



H

B

D

L

2073100	6	26	33	80x40x1,5	6000
2073102	6	26	33	110x40x1,5	6000

316 Outdoor satin



D

1112.804.316	2	80x40x1,5
1112.110.316	2	110x40x1,5

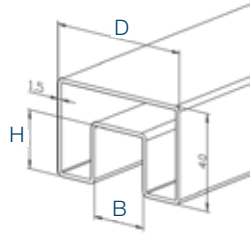
Glass profile tube rubbers



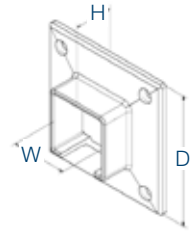
Rubber	L	Ø	B	G
6770.424.0800	6250	42,4	24	8 - 11
6770.424.1150	6250	42,4	24	11,5 - 13,5
6770.424.1600	6250	42,4	24	16 - 17,5
6770.424.2000	6250	42,4	24	20 - 21,5

Rubber	L	Ø	B	G
6770.483.0800	6250	48,3	27	8 - 11
6770.483.1150	6250	48,3	27	11,5 - 13,5
6770.483.1600	6250	48,3	27	16 - 17,5
6770.483.2000	6250	48,3	27	20 - 21,5
6770.603.0800	6250	60,3	34	8 - 11
6770.603.1150	6250	60,3	34	11,5 - 13,5
6770.603.1600	6250	60,3	34	16 - 17,5
6770.603.2000	6250	60,3	34	20 - 21,5
6770.603.2552	6250	60,3	34	25,52
6770.804.0800	6250	80/110x40	27	8 - 11
6770.804.1150	6250	80/110x40	27	11,5 - 13,5
6770.804.1600	6250	80/110x40	27	16 - 17
6770.804.2000	6250	80/110x40	27	20 - 21,5

Square slotted tube



Wall flange square **L S**



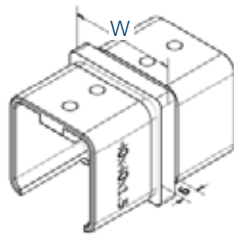
304 Indoor satin		H	B	D	L
2081484	6	24	24	40x40x1,5	6000
2073103	6	24	24	60x40x1,5	6000

304 Indoor satin		D	H	W
4183.404.304	2	95x95	28 mm	40x40x1,5
4183.640.304	2	100x80	28 mm	60x40x1,5

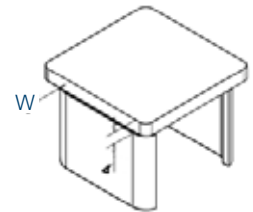
316 Outdoor satin		H	B	D	L
2081485	6	24	24	40x40x1,5	6000
2073104	6	24	24	60x40x1,5	6000

316 Outdoor satin		D	H	W
4183.404.316	2	95x95	28 mm	40x40x1,5
4183.640.316	2	100x80	28 mm	60x40x1,5

Tube connector square **L**



End Cap square **L**



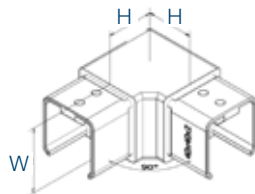
304 Indoor satin		W
4201.404.304	2	40x40x1,5
4201.640.304	2	60x40x1,5

304 Indoor satin		W
4112.404.304	2	40x40x1,5
4112.640.304	2	60x40x1,5

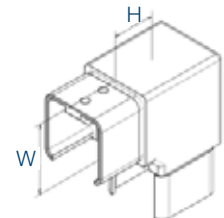
316 Outdoor satin		W
4201.404.316	2	40x40x1,5
4201.640.316	2	60x40x1,5

316 Outdoor satin		W
4112.404.316	2	40x40x1,5
4112.640.316	2	60x40x1,5

Tube connector 90° horizontal **L**



Tube connector 90° vertical **L**



304 Indoor satin		W	H
4202.404.304	2	40x40x1,5	50
4202.640.304	2	60x40x1,5	70

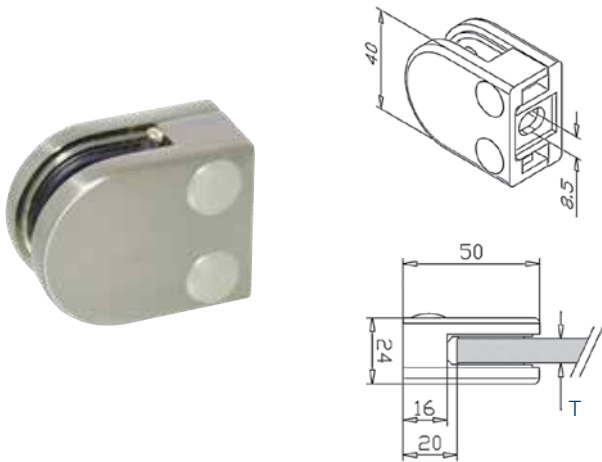
304 Indoor satin		W	H
4203.404.304	2	40x40x1,5	30
4203.640.304	2	60x40x1,5	30

316 Outdoor satin		W	H
4202.404.316	2	40x40x1,5	50
4202.640.316	2	60x40x1,5	70

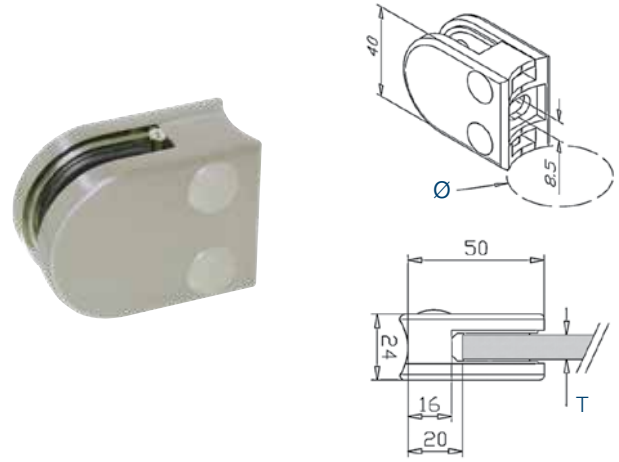
316 Outdoor satin		W	H
4203.404.316	2	40x40x1,5	30
4203.640.316	2	60x40x1,5	30

GLASS CLIPS

Glass clip model 00 - Flat



Glass clip model 00 - Tube



304 Indoor
satin



00.A2.000.01 4

316 Outdoor
satin



00.A4.000.01 4

Zamak
Stainless look



00.ZN.000.01 4

316 Outdoor
satin black



00.A4.000.05 4

304 Indoor
satin



00.A2.033.01 4 \emptyset 33,7

00.A2.042.01 4 42,4

316 Outdoor
satin



00.A4.033.01 4 \emptyset 33,7

00.A4.042.01 4 42,4

Zamak
Stainless look



00.ZN.042.01 4 \emptyset 42,4

316 Outdoor
satin black



00.A4.042.05 4 \emptyset 42,4

Glass clip model 00 - Flat



Zamak
Brute



00.ZN.000.00 4

Glass clip model 00 - Tube



Zamak
Brute



00.ZN.042.00 4 \emptyset 42,4

Rubbers model 00



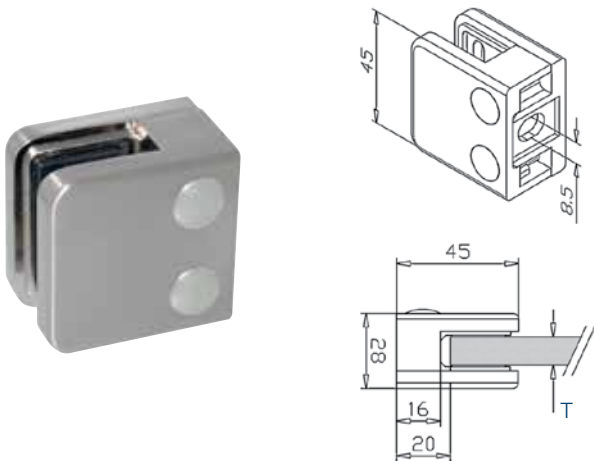
Rubbers
Model 00



Rubbers Model 00		Glass
6760.00.0600	8	6 mm
6760.00.0676	8	6,76 mm (3-0,76-3)
6760.00.0800	8	8 mm

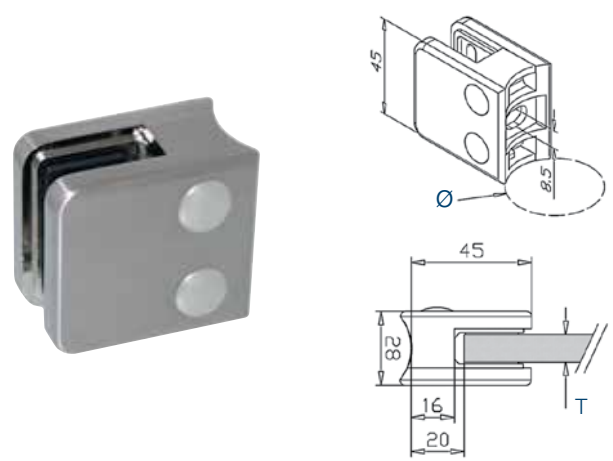
Glass clip model 01 - Flat

S



Glass clip model 01 - Tube

S



3vvv04 Indoor
satin



01.A2.000.01 4

304 Indoor
satin



01.A2.042.01 4

Ø

42,4

316 Outdoor
satin



01.A4.000.01 4

316 Outdoor
satin



01.A4.042.01 4

Ø

42,4

Zamak
Stainless look



01.ZN.000.01 4

316 Outdoor
Mirror



01.A4.042.01# 4

Ø

42,4

Zamak
Stainless look



01.ZN.042.01 4

Ø

42,4

Glass clip model 01 - Flat

S



Zamak
Brute



01.ZN.000.00 4

Glass clip model 01 - Tube

S



Zamak
Brute



01.ZN.042.00 4

Ø

42,4

Rubbers model 01

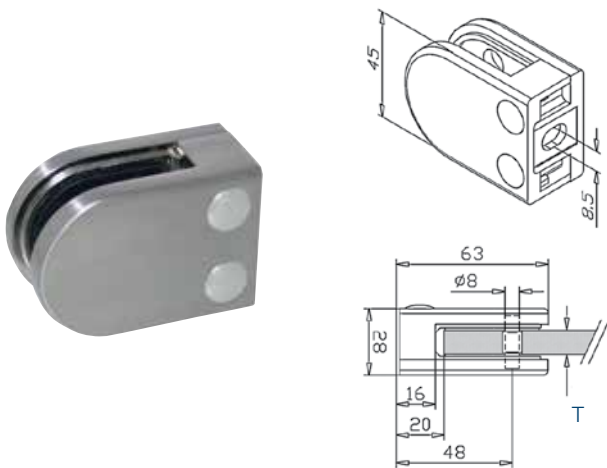


Rubbers
Model 01

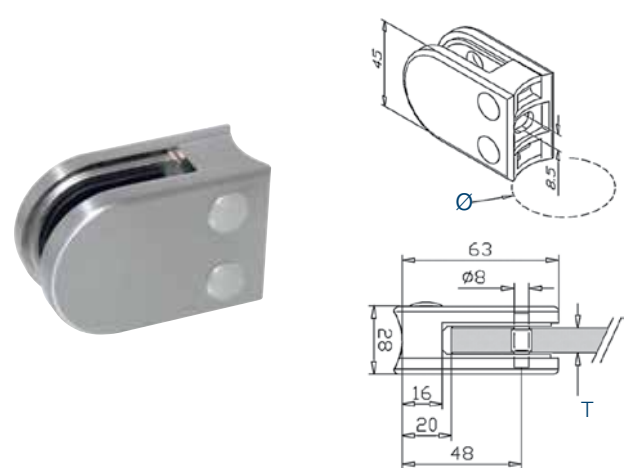


Rubbers Model 01		Glass
6760.01.0600	8	6 mm
6760.01.0676	8	6,76 mm (3-0,76-3)
6760.01.0800	8	8 mm
6760.01.0876	8	8,76 mm (4-0,76-4)
6760.01.0952	8	9,52 mm (4-1,52-4)
6760.01.1000	8	10 mm

Glass clip model 02 - Flat



Glass clip model 02 - Tube



304 Indoor
satin



02.A2.000.01 4

316 Outdoor
satin



02.A4.000.01 4

Zamak
Stainless look



02.ZN.000.01 4

316 Outdoor
satin black



02.A4.000.05 4

304 Indoor
satin



02.A2.042.01 4 42,4

02.A2.048.01 4 48,3

316 Outdoor
satin



02.A4.042.01 4 42,4

02.A4.048.01 4 48,3

316 Outdoor
Mirror



02.A4.042.01# 4 42,4

02.A4.048.01# 4 48,3

Zamak
Stainless look



02.ZN.042.01 4 42,4

02.ZN.048.01 4 48,3

316 Outdoor
satin black



02.A4.042.05 4 42,4

Glass clip model 02 - Flat



Zamak
Brute



02.ZN.000.00 4

Glass clip model 02 - Tube



Zamak
Brute



02.ZN.042.00 4 42,4

02.ZN.048.00 4 48,3

Rubbers model 02



Rubbers
Model 02



6760.02.0600 8

6760.02.0676 8

6760.02.0800 8

6760.02.0876 8

6760.02.0952 8

6760.02.1000 8

Glass

6 mm

6,76 mm (3-0,76-3)

8 mm

8,76 mm (4-0,76-4)

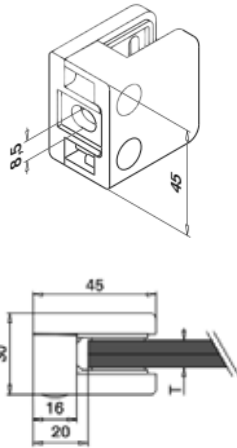
9,52 mm (4-1,52-4)

10 mm

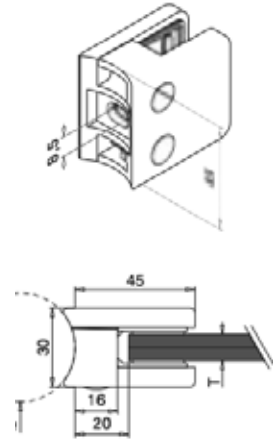
standard in packing
model 02



Glass clip model 03 - Flat



Glass clip model 03 - Tube



304 Indoor
satin



03.A2.000.01 4

304 Indoor
satin



03.A2.042.01 4 42,4

316 Outdoor
satin



03.A4.000.01 4

316 Outdoor
satin



03.A4.042.01 4 42,4

316 Outdoor
satin black



03.A4.000.05 4

316 Outdoor
satin black



03.A4.042.05 4 42,4

Standard in Packing Model 03



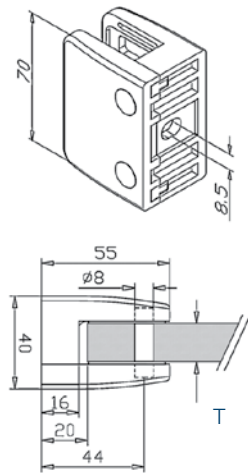
Rubbers Model 03



Rubbers Model 03		Glass
6760.03.0600	8	6 mm
6760.03.0676	8	6,76 mm (3-0,76-3)
6760.03.0800	8	8 mm
6760.03.0876	8	8,76 mm (4-0,76-4)
6760.03.0952	8	9,52 mm (4-1,52-4)
6760.03.1000	8	10 mm

Glass clip model 04 - Flat

S



304 Indoor
satin



03.A2.000.01 4

316 Outdoor
satin



03.A4.000.01 4

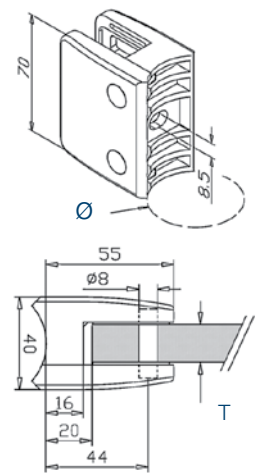
316 Outdoor
satin black



03.A4.000.05 4

Glass clip model 04 - Tube

S



304 Indoor
satin



03.A2.042.01 4 42,4

316 Outdoor
satin



03.A4.042.01 4 42,4

316 Outdoor
satin black



03.A4.042.05 4 42,4

Glass clip model 04 - Flat

S



Zamak
Brute



04.ZN.000.00 4

Glass clip model 04 - Tube

S



Zamak
Brute



04.ZN.048.00 4 48,3

Rubbers model 04

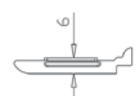


Rubbers
Model 04

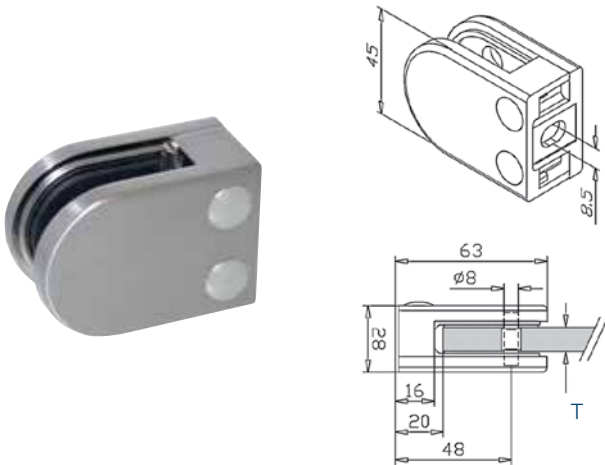


Rubbers Model 04		Glass
6760.04.0952	8	9,52 mm (4-1,52-4)
6760.04.1000	8	10 mm
6760.04.1152	8	11,52 mm (5-1,52-5)
6760.04.1200	8	12 mm
6760.04.1276	8	12,76 mm (6-0,76-6)
6760.04.1352	8	13,52 mm (6-1,52-6)
6760.04.1500	8	15 mm
6760.04.1676	8	16,76 mm (8-0,76-8)
6760.04.1752	8	17,52 mm (8-1,52-8)

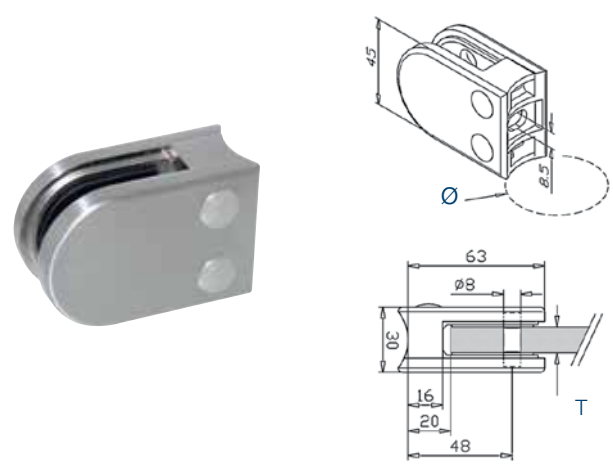
standard in packing
model 04



Glass clip model 05 - Flat



Glass clip model 05 - Tube



304 Indoor
satin



05.A2.000.01 4

316 Outdoor
satin



05.A4.000.01 4

Zamak
Stainless look



05.ZN.000.01 4

304 Indoor
satin



05.A2.042.01 4 42,4

05.A2.048.01 4 48,3

316 Outdoor
satin



05.A4.042.01 4 42,4

05.A4.048.01 4 48,3

Zamak
Stainless look



05.ZN.042.01 4 42,4

05.ZN.048.01 4 48,3

Glass clip model 05 - Flat



Zamak
Brute



05.ZN.000.00 4

Glass clip model 05 - Tube



Zamak
Brute



05.ZN.042.00 4 42,4

05.ZN.048.00 4 48,3

Rubbers model 05



Rubbers
Model 05



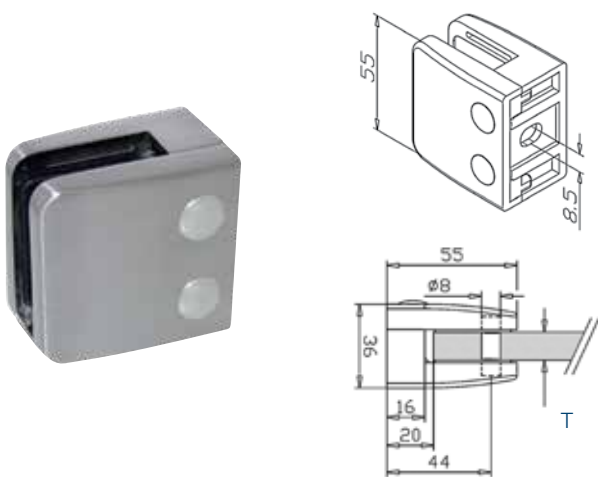
Rubbers Model 05	Glass
6760.05.1076 8	5-0,76-5 mm
6760.05.1152 8	5-1,52-5 mm
6760.05.1200 8	12 mm
6760.05.1276 8	6-0,76-6 mm

standard in packing model 05



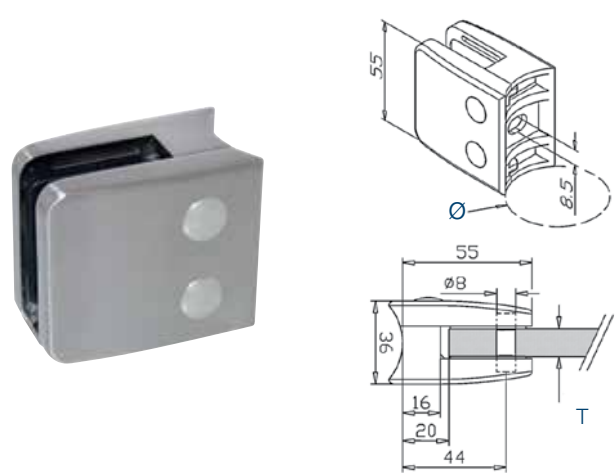
Glass clip model 06 - Flat

S



Glass clip model 06 - Tube

S



304 Indoor satin



06.A2.000.01 4

316 Outdoor satin



06.A4.000.01 4

Zamak Stainless look



06.ZN.000.01 4

316 Outdoor satin black



06.A4.000.05 4

304 Indoor satin



06.A2.042.01 4 42,4

06.A2.048.01 4 48,3

316 Outdoor satin



06.A4.042.01 4 42,4

06.A4.048.01 4 48,3

316 Outdoor Mirror



06.A4.042.01# 4 42,4

06.A4.048.01# 4 48,3

Zamak Stainless look



06.ZN.042.01 4 42,4

06.ZN.048.01 4 48,3

316 Outdoor satin black



06.A4.042.05 4 42,4

Glass clip model 06 - Flat

S



Zamak Brute



06.ZN.000.00 4

Glass clip model 06 - Tube

S



Zamak Brute



06.ZN.042.00 4 42,4

06.ZN.048.00 4 48,3

standard in packing model 06



Rubbers model 06

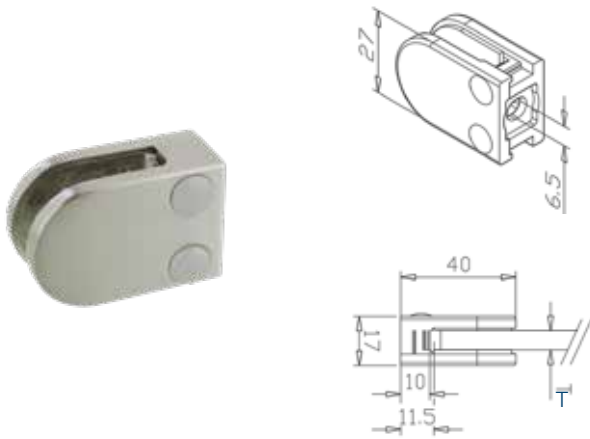


Rubbers Model 06	Glass
6760.06.0800	8 8 mm
6760.06.0876	8 8,76 mm (4.0,76-4)
6760.06.0952	8 9,52 mm (4-1,52-4)
6760.06.1000	8 10 mm

Rubbers Model 06	Glass
6760.06.1076	8 10,76 mm (5-0,76-5)
6760.06.1152	8 11,52 mm (5-1,52-5)
6760.06.1200	8 12 mm
6760.06.1276	8 12,76 mm (6-0,76-6)

Glass clip model 07 - Flat

S



304 Indoor
satin



07.A2.000.01 4

316 Outdoor
satin



07.A4.000.01 4

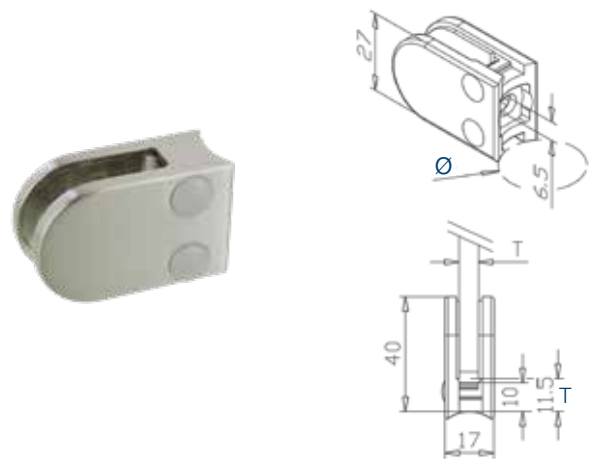
Zamak
Stainless look



07.ZN.000.01 4

Glass clip model 07 - Tube

S



304 Indoor
satin



07.A2.254.01 4 25,4

07.A2.337.01 4 33,7

316 Outdoor
satin



07.A4.254.01 4 25,4

07.A4.337.01 4 33,7

Zamak
Stainless look



07.ZN.254.01 4 25,4

07.ZN.337.01 4 33,7

Glass clip model 07 - Flat

S



Zamak
Brute



07.ZN.000.00 4

Glass clip model 07 - Tube

S



Zamak
Brute



07.ZN.254.00 4 25,4

07.ZN.337.00 4 33,7

Rubbers model 07

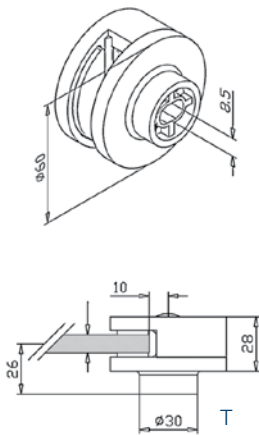


Rubbers
Model 07

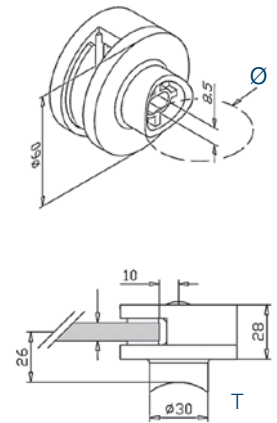


Rubbers Model 07	Quantity	Glass
6760.07.0600	8	6 mm
6760.07.0676	8	6,76 mm (3-0,76-3)
6760.07.0800	8	8 mm
6760.07.0876	8	8,76 mm (4-0,76-4)

Glass clip model 08 - Flat



Glass clip model 08 - Tube



316 Outdoor satin



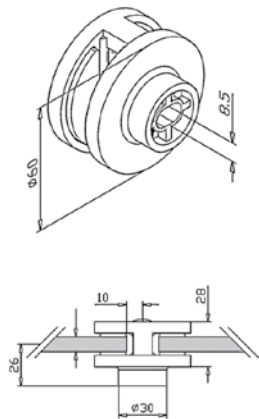
08.A4.000.01 4

316 Outdoor satin

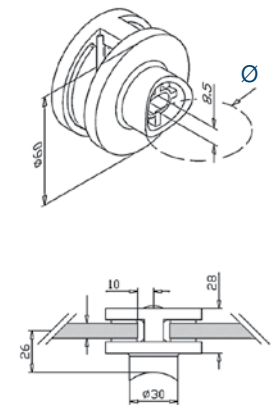


		Ø
08.A4.042.01	4	42,4
08.A4.048.01	4	48,3

Glass clip model 09 - Flat



Glass clip model 09 - Tube



316 Outdoor satin



09.A4.000.01 4

316 Outdoor satin



		Ø
09.A4.042.01	4	42,4
09.A4.048.01	4	48,3

Rubbers model 08/09



Rubbers Model 08/09



Rubbers Model 08/09		Glass
6760.09.0800	8	8 mm
6760.09.0876	8	8,76 mm (4-0,76-4)
6760.09.0952	8	9,52 mm (4-1,52-4)
6760.09.1000	8	10 mm
6760.09.1076	8	10,76 mm (5-0,76-5)
6760.09.1152	8	11,52 mm (5-1,52-5)
6760.09.1200	8	12 mm
6760.09.1276	8	12,76 mm (6-0,76-6)

Glass clip model 10 - 090

S



304 Indoor
satin



10.A2.090.01 2

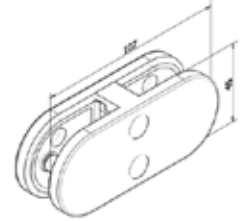
316 Outdoor
satin



10.A4.090.01 2

Glass clip model 10 - 180

S



304 Indoor
satin



10.A2.180.01 2

316 Outdoor
satin



10.A4.180.01 2

Rubbers model 10



Rubbers
Model 10



Rubbers Model 10		Glass
6760.10.0600	8	6 mm
6760.10.0800	8	8 mm
6760.10.0876	8	8,76 mm (4-0,76-4)
6760.10.0952	8	9,52 mm (4-1,52-4)
6760.10.1000	8	10 mm

Glass clip model 11 - Flat

S

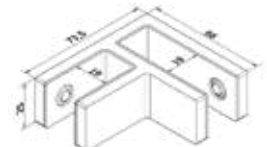


316 Outdoor
satin



		Glass
11.A4.000.01	1	16.76-19mm
11.A4.000.05	1	16.76-19mm

Glass clip model 11 - 090

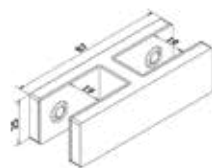


316 Outdoor
satin



		Glass
11.A4.090.01	1	16.76-19mm
11.A4.090.05	1	16.76-19mm

Glass clip model 11 - 180

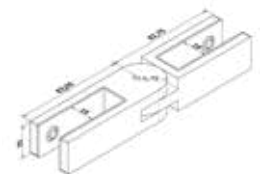


316 Outdoor
satin



		Glass
11.A4.180.01	1	16.76-19mm
11.A4.180.05	1	16.76-19mm

Glass clip model 11 - 270



316 Outdoor
satin



		Glass
11.A4.270.01	1	16.76-19mm
11.A4.270.05	1	16.76-19mm



Kensington
Balustrade
Systems



KENSINGTON TRADERS LTD

UNITS 23-25 RIBOCON WAY PROGRESS
PARK LEAGRAVE, LUTON BEDFORDSHIRE
LU4 9UR

UNITED KINGDOM

T 01582 563 794

F 01582 491 925

SALES@KENSINGTONFORGE.CO.UK

WWW.BALUSTRADE-SYSTEMS.COM

