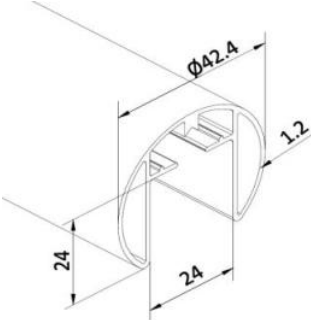
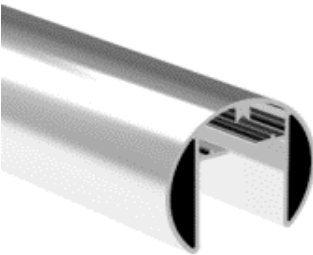


Aluminium Cap Rail System

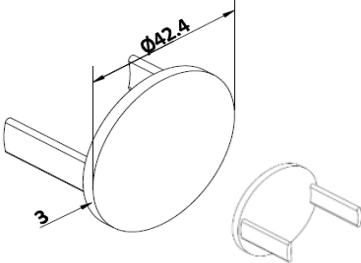
Key Features

- Aluminium Satin Anodised
- Suitable for 10mm - 21.52mm Glass
- No Welding Required
- Ready-To-Install
- Glass Field Protection
- Minimalist Design



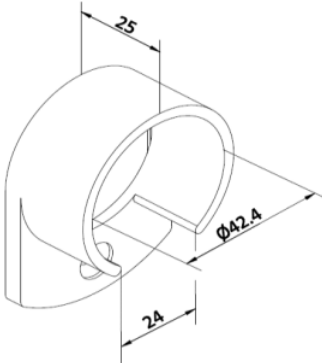
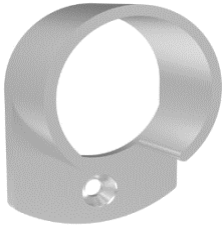
° QyU @ QyU ROUND CAP RAIL
6063-T5

Ø	Ø
42.4x1.2	24x24



ALUMINIUM k\yV) -V) #° h

Ø
42.4



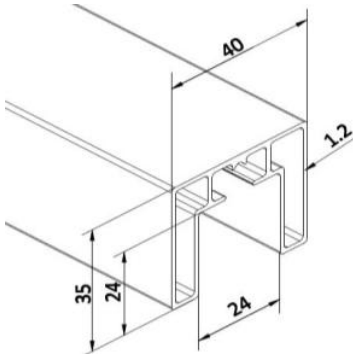
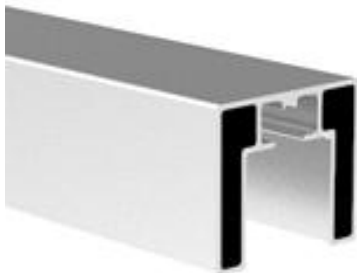
ALUMINIUM k\yV) ‡ ° Ø70 V8-

Ø
42.4

Aluminium Cap Rail System

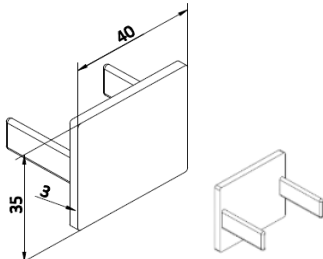
Key Features

- Aluminium Satin Anodised
- Suitable for 10mm - 21.52mm Glass
- No Welding Required
- Ready-To-Install
- Glass Field Protection
- Minimalist Design



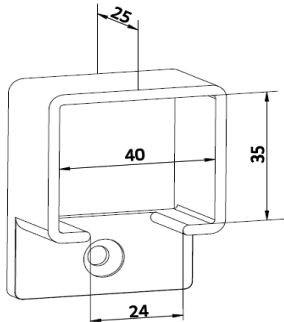
ALUMINIUM SQUARE CAP RAIL
6063-T5

Size (mm)	Slot (mm)
40x35x1.2	24x24



ALUMINIUM SQUARE END CAP

Size (mm)
40x35



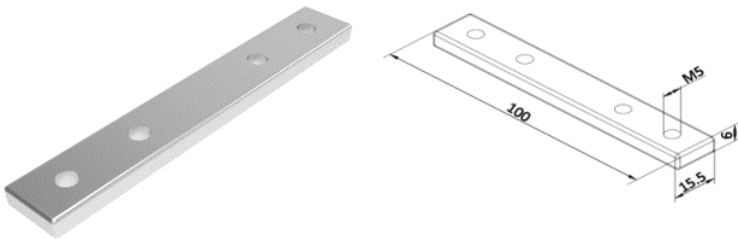
ALUMINIUM SQUARE WALL FLANGE

Size (mm)
40x35

Aluminium Cap Rail System

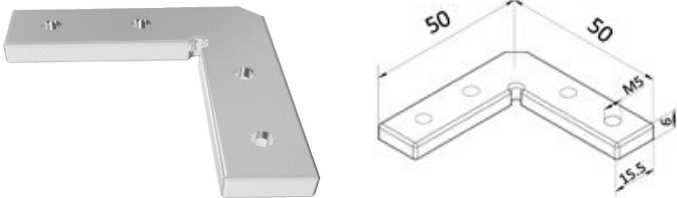
Key Features

- Aluminium Satin Anodised
- Suitable for 10mm - 21.52mm Glass
- No Welding Required
- Ready-To-Install
- Glass Field Protection
- Minimalist Design



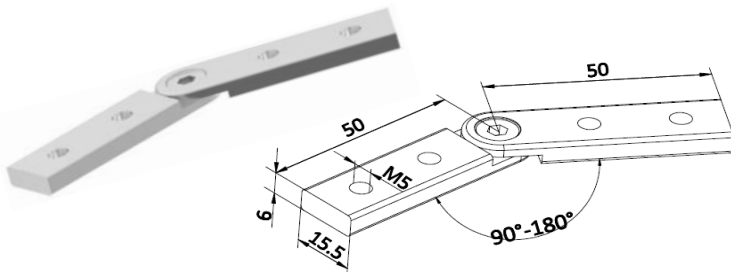
ALUMINIUM 180° CONNECTOR

Size
(mm)
100



ALUMINIUM 90° CONNECTOR

Size
(mm)
50



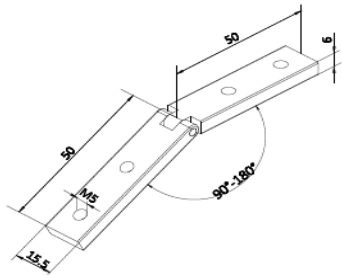
ALUMINIUM ADJ. CONNECTOR - HORIZONTAL

Size
(mm)
50

Aluminium Cap Rail System

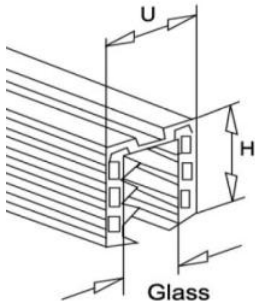
Key Features

- Aluminium Satin Anodised
- Suitable for 10mm - 21.52mm Glass
- No Welding Required
- Ready-To-Install
- Glass Field Protection
- Minimalist Design



ALUMINIUM ADJ. CONNECTOR - VERTICAL

Size
(mm)
50



RUBBER GASKET

U x H
(mm)
24x24
24x24
24x24

Glass
(mm)
10-12.76
15-17.52
19-21.52