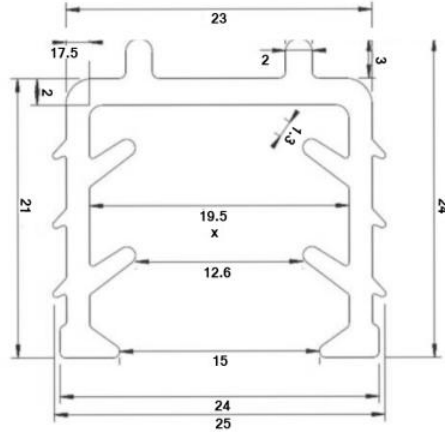
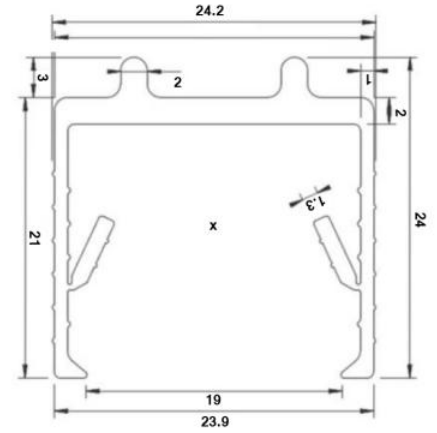


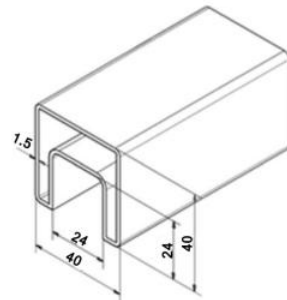
RO42-12
For 10-12.75mm Glass



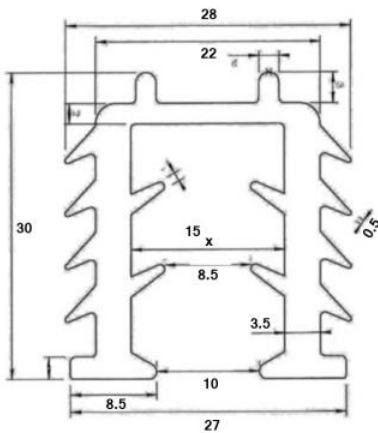
RO42-15NEW
For 15-17.5mm Glass



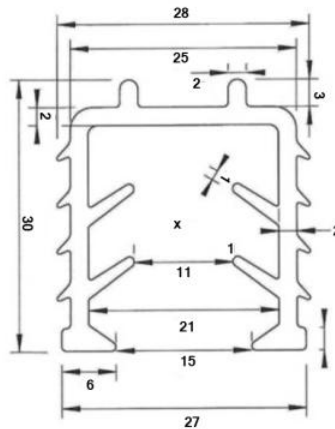
RO42-19
For 19-21.5mm Glass



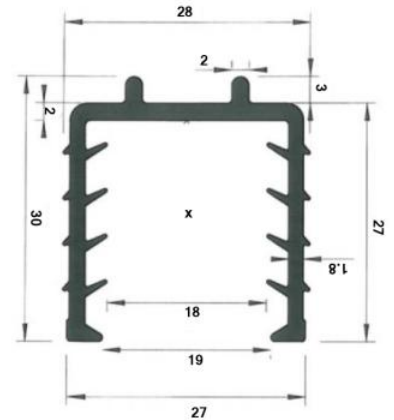
RO1004-BOXx40x40
40 x 40mm Profile Box Section



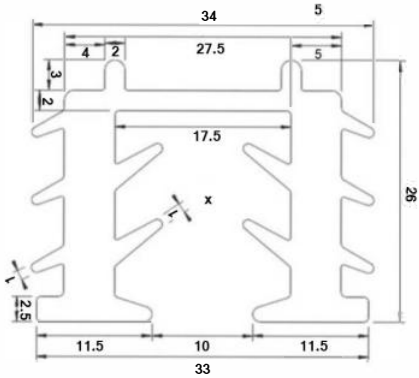
RO48-12
For 10-12 mm Glass



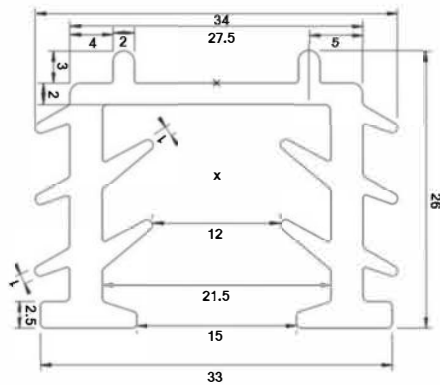
RO48-15
For 15-17.5 mm Glass



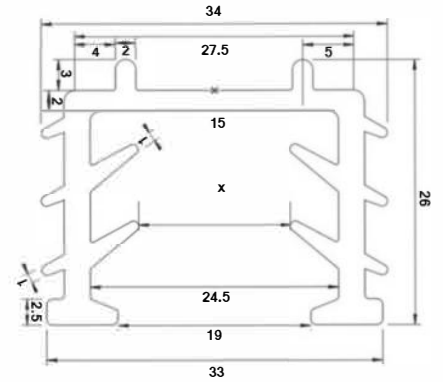
RO48-19
For 19- 21.5 mm Glass



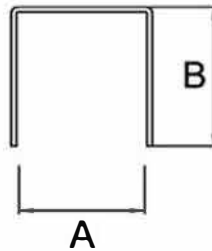
RO80/110-12
For 10-12.75mm Glass



RO80/110-15
For 15-17.5mm Glass



RO80/110-19
For 19-21.5mm Glass



2.5m Length A: 12-12.76mm B: 15mm 1.5mm Wall
 2.5m Length A: 16.76-17.52mm B: 20mm 1.5mm Wall
 2.5m Length A: 19-21.52mm B: 20mm 1.5mm Wall
 ••Satin anodised capping rail
 Many other sizes available on request

KT-Capping-Rail
Satin anodised aluminium capping rails for 12-21.5mm glass

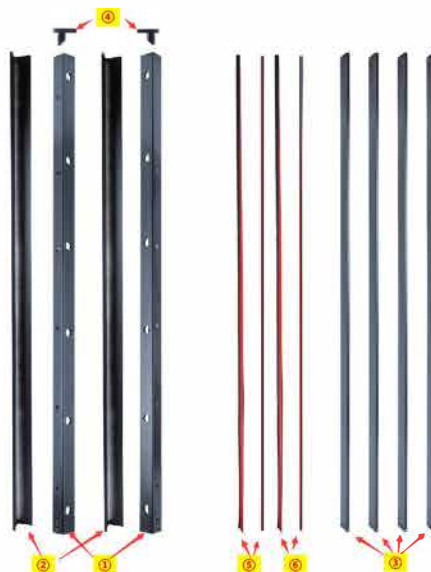



 Double Sided Tape
 10-12.76mm Glass
KT-PR-7426


 Double Sided Tape
 15-17.52mm Glass
KT-PR-6728


 Double Sided Tape
 19-21.52mm Glass
KT-PR-6936

- ① Aluminium profiles for Julietts
- ② Cladding for fascia mounting onto the wall or window frame
- ③ Cladding for mounting between the reveals
- ④ End cap
- ⑤ Rubberstrips for 17.52mm glass
- ⑥ Rubber strips for 21.52mm glass



****BRAND NEW****

KT-JULIET-CHANNEL

To Suit 17.52 / 21.52mm Glass

1100mm High

Install Face Fix or Side Fix

Available Finishes:
 Satin Anodised / Black / Anthracite Grey