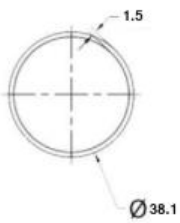
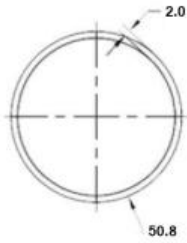


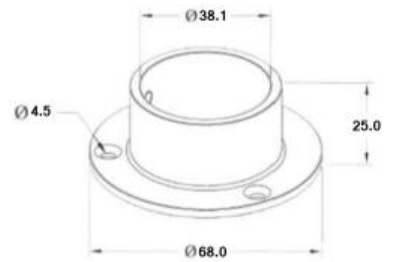
•All components polished and lacquered
 Tube polished only



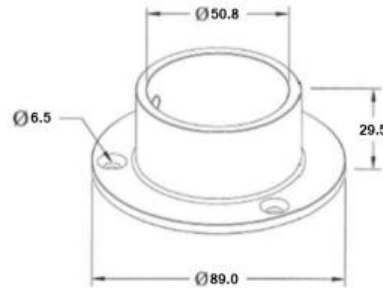
BR-NT315
 38.1 x 1.5mm Polished
 brass handrail (3m Lengths)



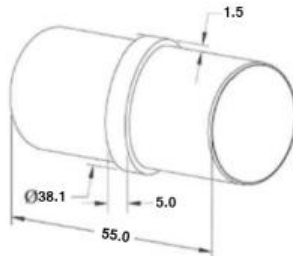
BR-NT325
 50.8x2mm Polished
 brass handrail (3m Lengths)



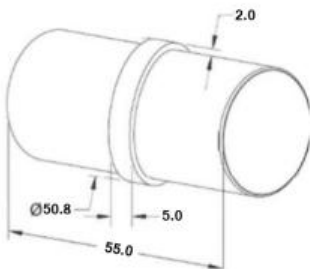
BR-Wallplate-38
 Polished and lacquered
 Wallplate



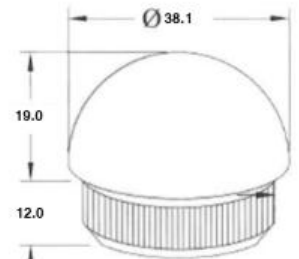
BR-Wallplate-50.8
 Polished and lacquered
 Wallplate



BR-1001-38
 Polished and lacquered
 straight connector



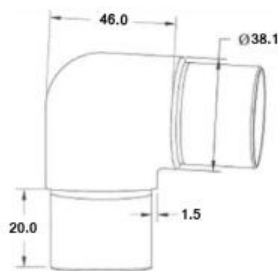
BR-1001-50.8
 Polished and lacquered
 straight connector



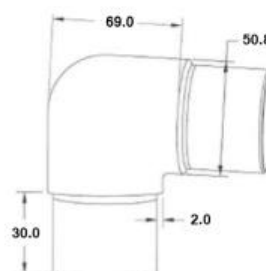
BR1018-38
 Polished and lacquered
 Dome end cap



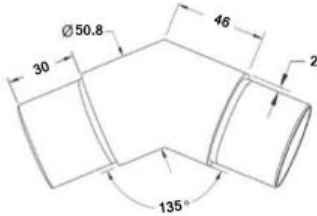
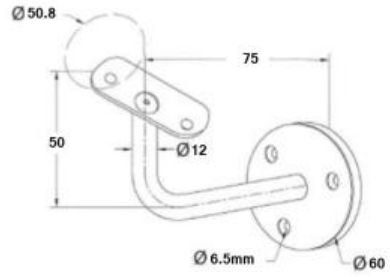
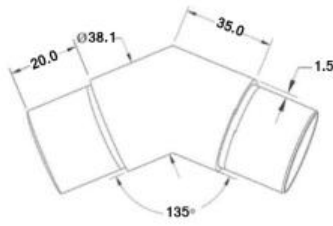
BR-1018-50.8
 Polished and lacquered
 Dome end cap



BR-1003-38
 Polished and lacquered
 90 degree radius bend



BR-1003-50.8
 Polished and lacquered
 90 degree radius bend

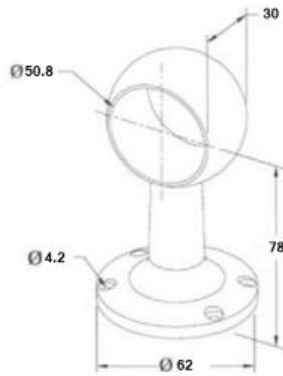


BR1007-38
Polished and lacquered
135 degree bend

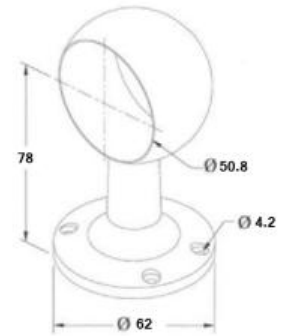
BR1007-50.8
Polished and lacquered
135 degree bend



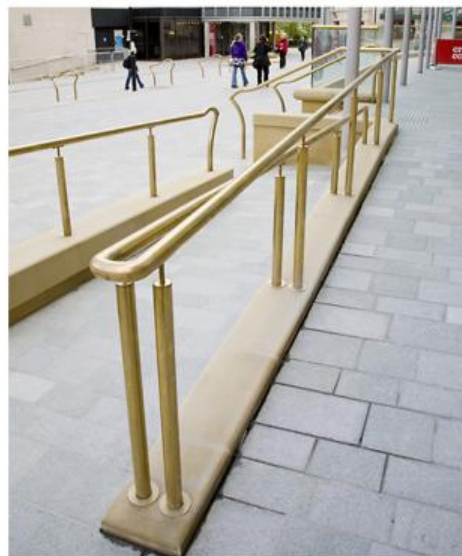
BR-272 (50.8)
Polished and lacquered handrail bracket



BR-600-50.8
Polished and lacquered mid-rail holder

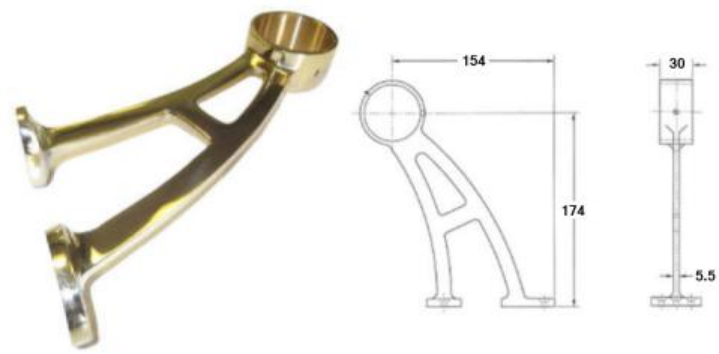


BR-601-50.8
Polished and lacquered end-rail holder

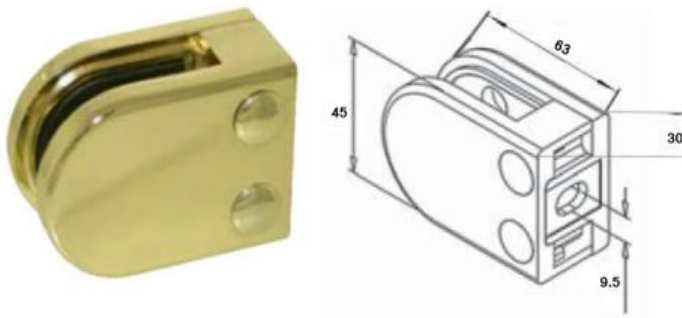




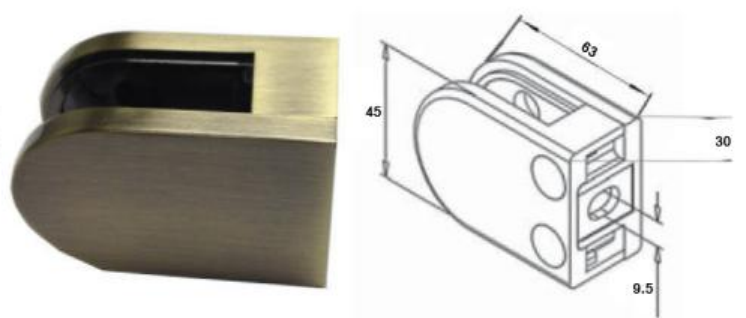
BR-287-50.8
Polished and lacquered foot-rail bracket



BR-286-50.8
Polished and lacquered foot-rail bracket



BR-10F
Polished and lacquered glass clamp (10mm)



KLH10F-ANT-BRASS
Antique brass, glass clamp (10mm)