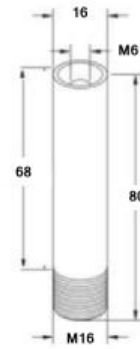
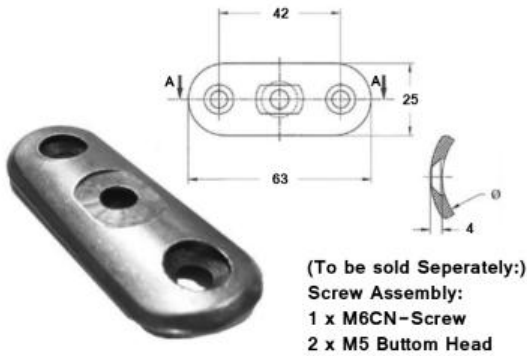




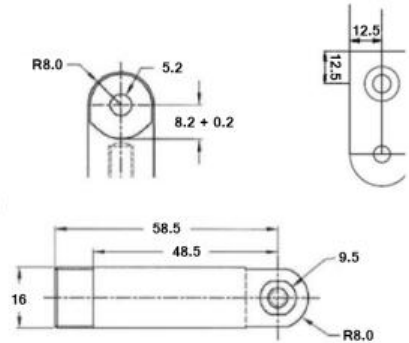
MS1060-42.4x2.6mm
Top insert for 16mm stem



MS1002-H
16mm fixed stem



MS1001-H42
Straight saddle



MS/GLS1002
16mm adjustable stem



MS1001-H-Z-42mm
90 degree corner saddle



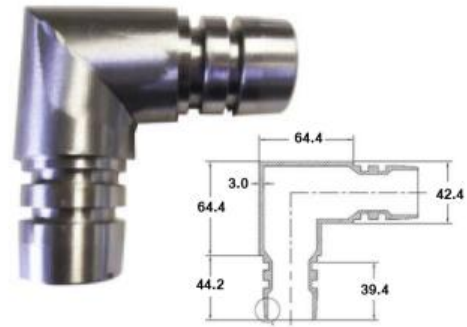
Fixed stem assembly
MS1060 + MS1002 +
MS1001 + Screws



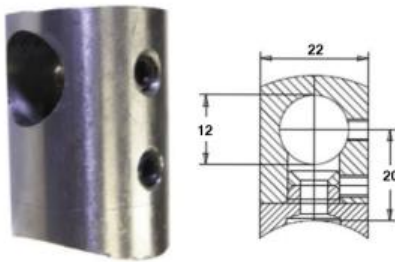
Adjustable stem assembly
MS1060 + MS/GLS1002 +
MS1001 + Screws



MS1008-42.4x2.6mm
90 Degree radius tube connection



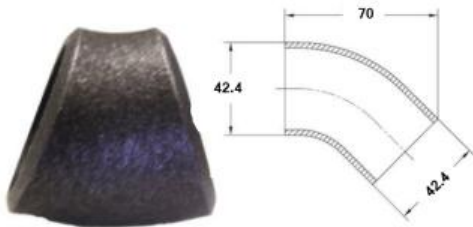
MS1005-42.4x2.6mm
90 Degree sharp tube connection



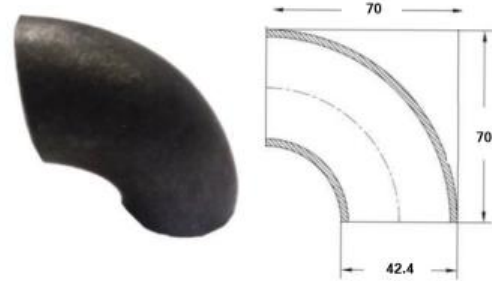
MTH2001-12-42
12mm Rod holder



MS1001-42.4x2.6mm
Straight tube connector



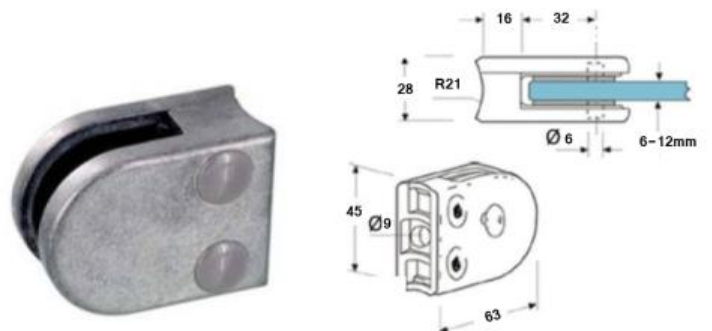
MSROB42
45 Degree weldable bend



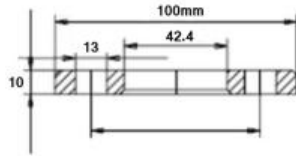
MSROB-42-90D
90 Degree Weldable Bend



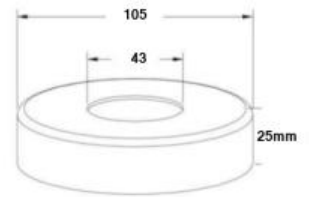
MS1010-42.4-2.6
Convex cap



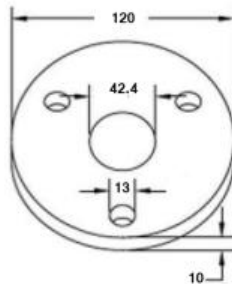
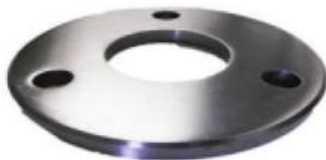
KLH10U-42.4K
Untreated glass clamp
Rubbers also available for 6/8/12mm



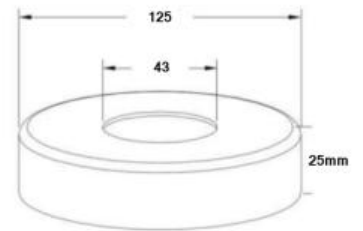
FP100-43
Weldable
fixing plate



CP105-43 -25mm High
Cover Plate
(15mm High also available - CP105-43mm)



FP120-3-42.4
Weldable fixing plate



CP125-43 -25mm High
Cover Plate
(15mm High also available - CP125-43mm)



MS1003Y - 75mm Offset x 110mm Bottom of plate - Top of saddle
MS1003K - 90mm Offset x 110mm Bottom of plate - Top of saddle
•Both stem heights 75mm

MS1003K - 90mm offset -14mm Stem
MS1003Y - 75mm offset -14mm Stem
(Saddle sold seperately -
HH1001-H42)