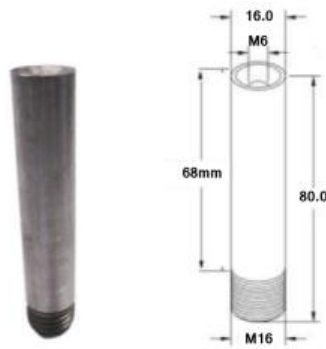
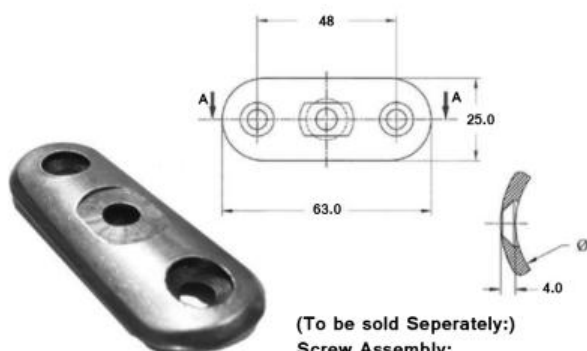




MS1060 - 48.3 x 3.2mm
Top insert for 16mm stem

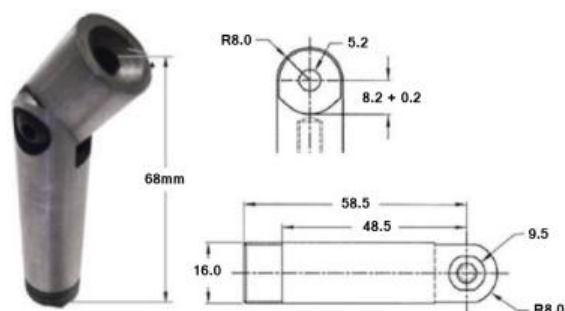


MS1002-H
16mm fixed stem



MS1001-H48
Straight saddle

(To be sold Separately):
Screw Assembly:
1 x M6CN-Screw
2 x M5 Bottom Head



MS/GLS1002
16mm adjustable stem



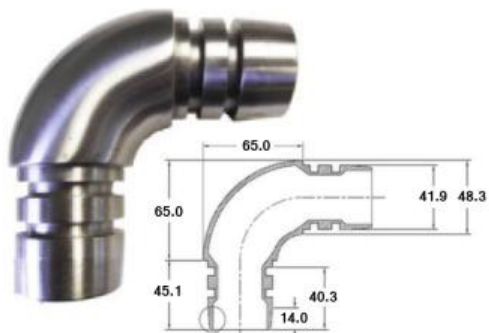
MS1001-H-Z-48mm
90 degree corner saddle



Fixed stem assembly
MS1060 + MS1002 +
MS1001 + Screws



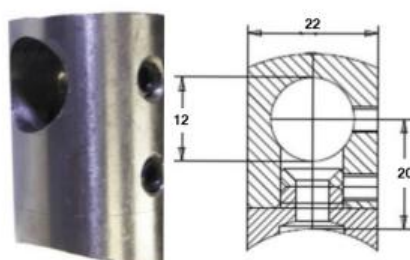
Adjustable stem assembly
MS1060 + MS/GLS1002 +
MS1001 + Screws



MS1008-48.3x3.2mm
90 Degree radius tube connection



MS1005-48.3x3.2mm
90 Degree sharp tube connection



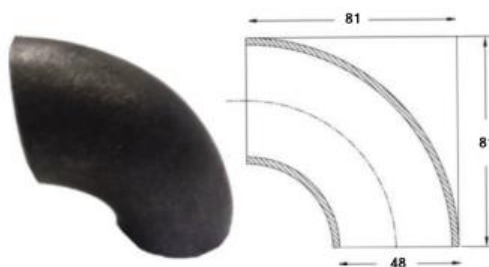
MTH2001-12-48
12mm Rod holder / 48mm Tube



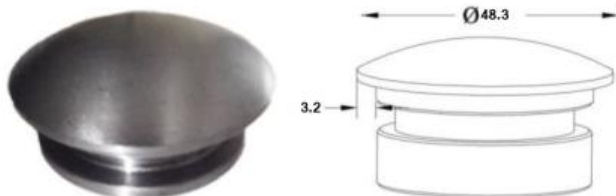
MS1001-48.3x3.2mm
Straight tube connector



MSROB48
45 Degree weldable bend



MSROB-48-90D
90 Degree weldable bend



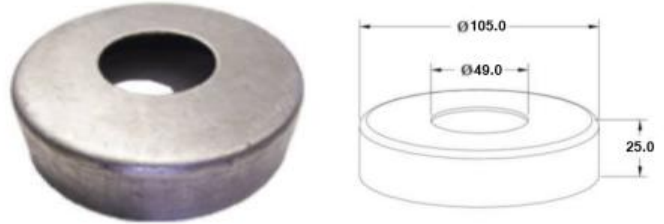
MS1010-48.3-3.2
Convex cap



MS1006 - Top rail connector



FP100-49
Weldable
fixing plate



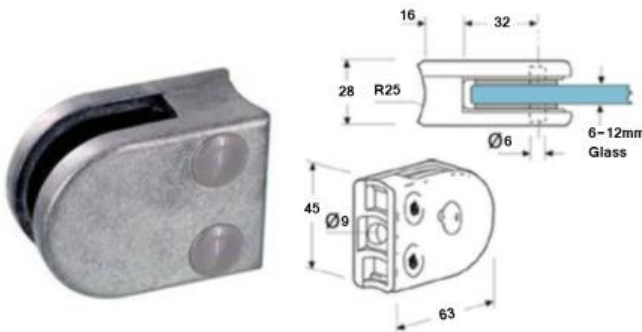
CP105-49 - 25mm High
Cover Plate
(15mm High also available - CP105-49mm)



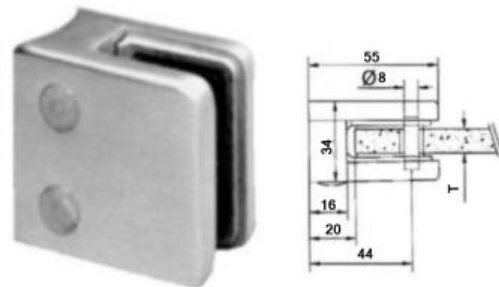
FP120-3-48.3
Weldable fixing plate



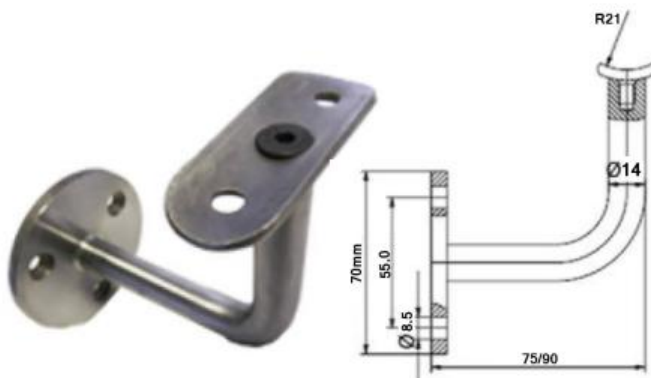
CP125-49 - 25mm High
Cover Plate
(15mm High also available - CP125-49mm)



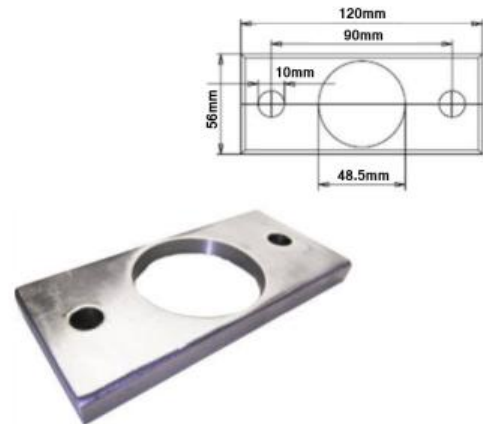
KLH10U-50.8K
Untreated glass clamp



KLH12U-50.8K
Untreated glass clamp
10/12mm glass - rubbers separate



MS1003K - 90mm offset - 14mm Stem
MS1003Y - 75mm offset - 14mm Stem
(Saddle sold separately - MS1001-48)



MS1007 - Rectangular weldable plate